



BK FHUAS Retro Fit Kit Motor Warranty Claim Form

See warranty document for the specific details of the warranty

Warranty Period – 1 year from the date of shipment of the Retro Fit Kit from Duke Manufacturing

Warranty Process – Ground Freight shipment of a no-charge replacement for the existing motors, that were in use, in the FHUAS, prior to the shipment of the Retro Fit Kit

Warranty Claim Process

This claim form must be filled out completely after a technician troubleshoots a motor failure

2 clear photo's must be taken (see next page)

- Photo of the Part Number & Kit Number Tag
- Photo of the Air Discharge Plate & Duct Seal Cover area

DATE: _____ RESTAURANT #: _____

STREET: _____

CITY: _____ STATE: _____ POSTAL CODE: _____

RESTAURANT CONTACT EMAIL: _____

SHIP MOTOR TO

NAME: _____ PHONE: _____

STREET: _____

CITY: _____ STATE: _____ POSTAL CODE: _____

Motor Troubleshooting

_____ Voltage reading supply to the power switch

_____ Voltage reading at the coil of the relay

_____ Voltage reading at the relay COM1 – COM2

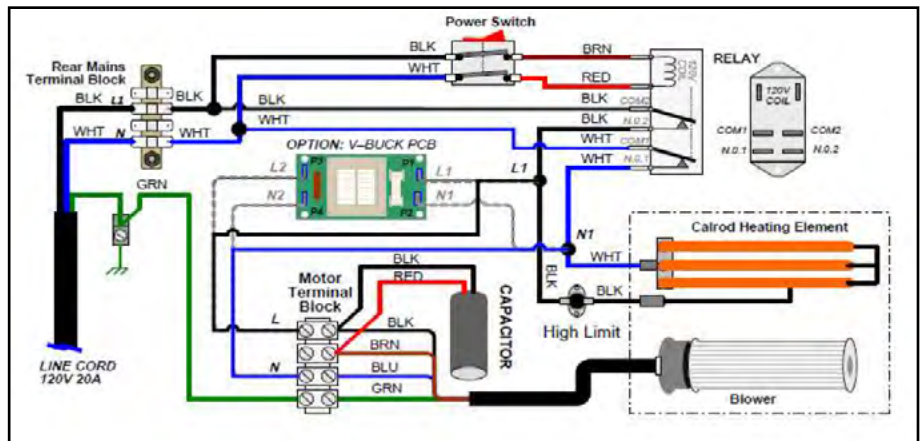
_____ Voltage reading at the relay N.O.1 – N.O.2

Are the terminals secure in the relay?

Yes No

**Terminals should not have movement when the relay wires are gently tugged. If movement, relay should be replaced.*

Are all wires securely connected at the Motor Terminal Block? Yes No



TECHNICIAN SIGNATURE: _____

TECHNICIAN E-MAIL: _____

Motor Needed

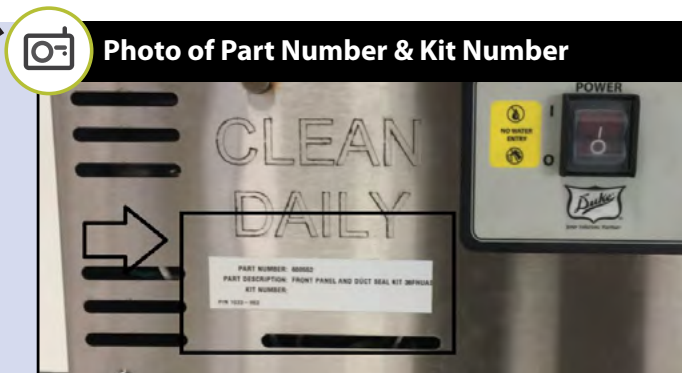
225443D Fan Motor, 36" Wide Unit , Left Side

225442D Fan Motor, 36" Wide unit, Right Side

225445D Fan Motor, 32" & 34" Wide unit, Left Side

225444D Fan Motor, 32" & 34" Wide unit, Right Side

**Right & Left are determined by facing the on/off switches on the front of the unit*



2
P
H
O
T
O
S

The completed claim form + 2 photos must be attached to an e-mail sent to bkcustomer@dukemfg.com



dukemfg.com



Questions?

Call 1-800-735-3853,

when prompted press 1 and then press 2 to speak with technical service

Warranty Claim Form – 523515

© Duke Manufacturing Co. 2020