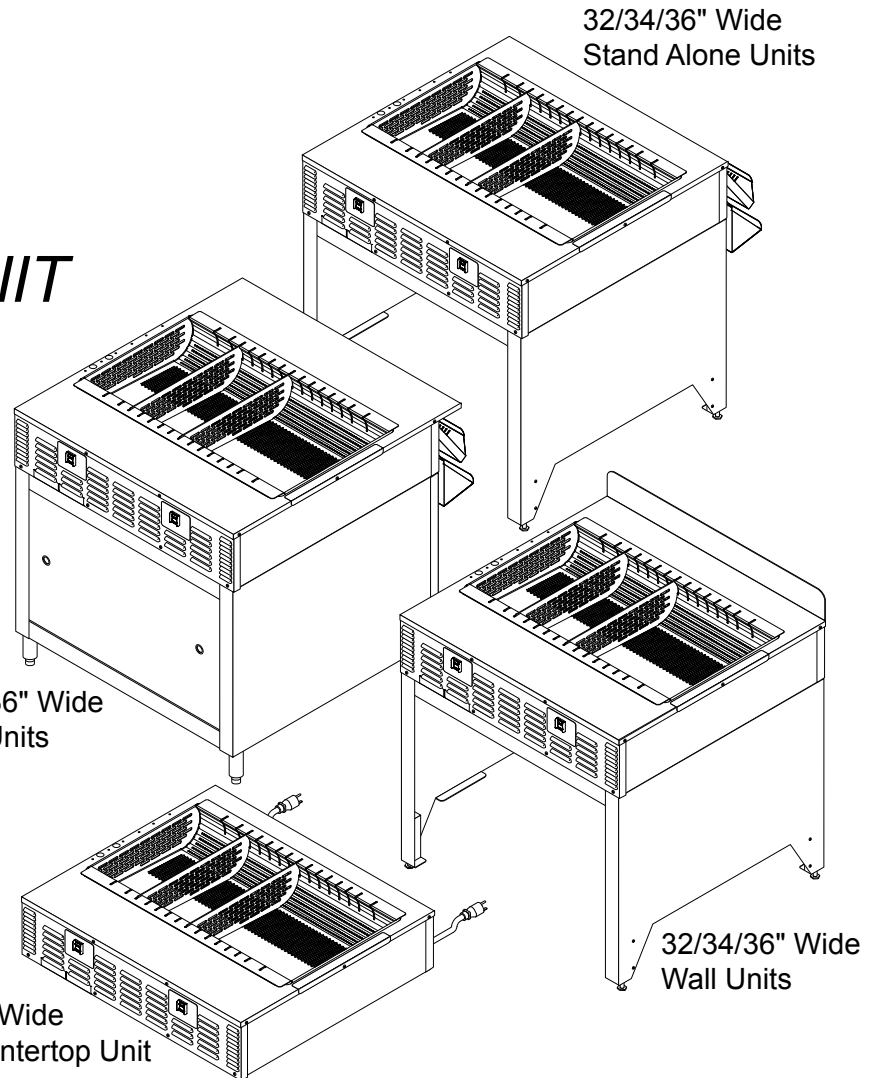




Your Solutions Partner

# Illustrated Parts List

## FRY HOLDING UNIT AIR SCROLL (FHUAS-2)



### MODEL

### **FHUAS-2**

Revision "D" Motors Factory Installed In All  
Units, Beginning With Serial #02177835

*This manual is Copyright © 2018 Duke Manufacturing Co. All rights reserved.  
Reproduction without written permission is prohibited. Duke is a registered  
trademark of the Duke Manufacturing Co.*

## **Duke Manufacturing Co.**

**2305 N. Broadway • St. Louis, MO 63102**

**800.735.3853 • 314.231.1130**

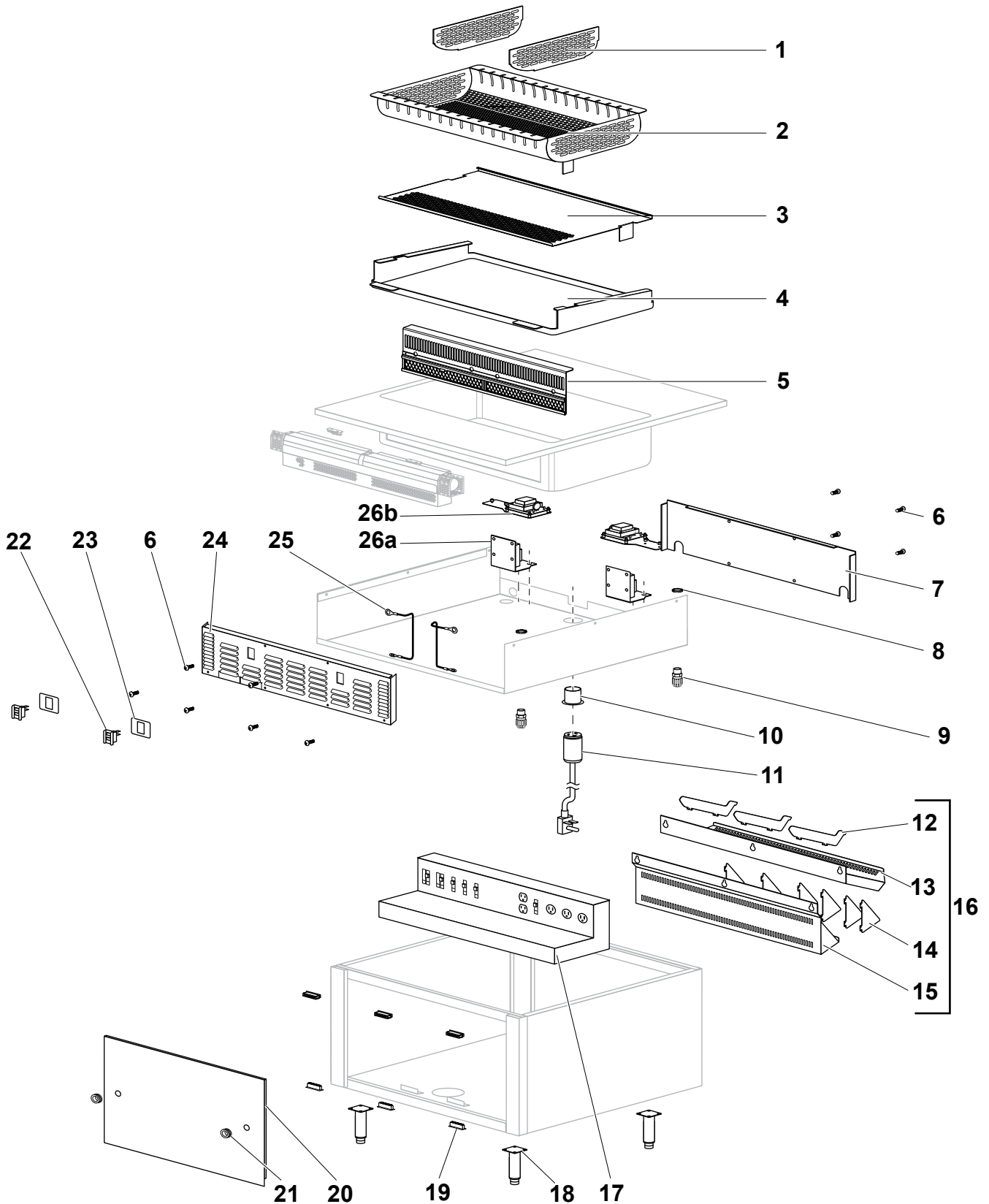
**Fax: 314-231-5074**

**www.dukemfg.com**

## TABLE OF CONTENTS

|   |    |
|---|----|
| 32", 34", & 36" WIDE, FRY HOLDING UNIT AIR SCROLL (FHUAS-2) .....                 | 3  |
| Figure: PL-1 Fry Holding Unit Air Scroll (FHUAS-2).....                           | 3  |
| Table: PL-1 Fry Holding Unit Air Scroll (FHUAS-2) .....                           | 4  |
| 36" WIDE, MOTOR COOLING RETURN BOX, FHUAS-2.....                                  | 6  |
| Figure: PL-2 36" Motor Cooling Return Box (FHUAS-2).....                          | 6  |
| Table: PL-2 36" Motor Cooling Return Box (FHUAS-2).....                           | 7  |
| 32" & 34" WIDE, MOTOR COOLING RETURN BOX, FHUAS-2 .....                           | 8  |
| Figure: PL-3 32" & 34" Motor Cooling Return Box (FHUAS-2) .....                   | 8  |
| Table: PL-3 32" & 34" Motor Cooling Return Box (FHUAS-2).....                     | 9  |
| WIRE CHASE: 36" WIDE, IN-LINE UNITS, FHUAS-2 .....                                | 10 |
| Figure: PL-4 Wire Chase: 36" Wide, In-Line Units, FHUAS-2.....                    | 10 |
| Table: PL-4 Wire Chase: 36" Wide, In-Line Units, FHUAS-2 .....                    | 10 |
| WIRE CHASE: 36" WIDE, STAND-ALONE & WALL UNITS, FHUAS-2.....                      | 11 |
| Figure: PL-5 Wire Chase: 36" Wide, Stand-Alone & Wall Units, FHUAS-2.....         | 11 |
| Table: PL-5 Wire Chase: 36" Wide, Stand-Alone & Wall Units, FHUAS-2 .....         | 11 |
| TELESCOPING SHELF ASSEMBLY FOR 32", 34" & 36" WIDE, FHUAS-2.....                  | 12 |
| Figure: PL-6 Telescoping Shelf Assembly for 32", 34" & 36" Wide, FHUAS-2.....     | 12 |
| Table: PL-6 Telescoping Shelf Assembly for 32", 34" & 36" Wide, FHUAS-2.....      | 13 |
| FREE STANDING SHELF ASSEMBLY FOR 32", 34" & 36" WIDE, FHUAS-2 .....               | 14 |
| Figure: PL-7 Free Standing Shelf Assembly for 32", 34" & 36" Wide, FHUAS-2 .....  | 14 |
| Table: PL-7 Free Standing Shelf Assembly for 32", 34" & 36" Wide, FHUAS-2.....    | 15 |
| ENCLOSED BACK, SHELF ASSEMBLY FOR 32", 34" & 36" WIDE, FHUAS-2.....               | 16 |
| Figure: PL-8 Enclosed Back, Shelf Assembly for 32", 34" & 36" Wide, FHUAS-2 ..... | 16 |
| Table: PL-8 Enclosed Back, Shelf Assembly for 32", 34" & 36" Wide, FHUAS-2.....   | 17 |
| WIRE DIAGRAM, FHUAS-2.....  | 18 |
| HOW TO DETERMINE MANUFACTURE DATE FROM DUKE EQUIPMENT SERIAL NUMBERS .....        | 19 |

**32", 34", & 36" WIDE, FRY HOLDING UNIT AIR SCROLL (FHUAS-2)**



**Figure: PL-1 Fry Holding Unit Air Scroll (FHUAS-2)**

### 32", 34", & 36" WIDE, FRY HOLDING UNIT AIR SCROLL (FHUAS-2)

| ITEM      | PN       | DESCRIPTION  | QTY |
|-----------|----------|--|-----|
| 1         | 413714   | DIVIDER, SLOTTED, FHUAS-2  | 2   |
| 2         | 1033-781 | FRY BASKET, 32/34" WIDE FHUAS-2  | 1   |
|           | E050591  | FRY BASKET, 36" WIDE FHUAS-2   |     |
| 3         | 414071   | PLATE, RETURN, 32/34" WIDE FHUAS-2   | 1   |
|           | 413721   | PLATE, RETURN, 36" WIDE FHUAS-2  |     |
| 4         | 414070   | COLLECTION PAN, 32/34" WIDE FHUAS-2  | 1   |
|           | 413720   | COLLECTION PAN, 36" WIDE FHUAS-2   |     |
| 5         | 1033-784 | FILTER ASSY, 32/34" WIDE FHUAS-2   | 1   |
|           | 413715   | FILTER ASSY REPLACEMENT, 36" WIDE FHUAS-2  |     |
| 6         | 213064   | SCREW, 10-24x1/2" TCS RD HD, FHUAS-2   | 16  |
| 7         | 1033-892 | HOUSING BACK, 32" WIDE, INLINE FHUAS-2   | 1   |
|           | 1033-893 | HOUSING BACK, 34" WIDE, INLINE FHUAS-2   |     |
|           | E050534  | HOUSING BACK, 36" WIDE, INLINE FHUAS-2   |     |
|           | 1033-777 | HOUSING BACK, 32" WIDE, STAND ALONE FHUAS-2  |     |
|           | 1033-802 | HOUSING BACK, 34" WIDE, STAND ALONE FHUAS-2  |     |
|           | E050770  | HOUSING BACK, 36" WIDE, STAND ALONE FHUAS-2  |     |
|           | 1033-888 | HOUSING BACK, 32" WIDE, WALL FHUAS-2   |     |
|           | 1033-889 | HOUSING BACK, 34" WIDE, WALL FHUAS-2   |     |
|           | E050537  | HOUSING BACK, 36" WIDE, WALL FHUAS-2   |     |
|           | E050769  | HOUSING BACK, 36" WIDE, COUNTERTOP FHUAS-2   |     |
| 8         | 195600   | LOCKNUT, CONDUIT, 1/2", FHUAS-2  | 2   |
| 9         | 115096   | CONNECTOR, 1/2" LIQUID TIGHT, FHUAS-2  | 2   |
| Not Shown | 222304   | CORD, POWER ASSEMBLY, 20A, 125V, FHUAS-2   | 2   |
| Not Shown | 222170   | CORD, POWER ASSEMBLY, 15A 208/240V ( <b>36" Wide FHUAS-2 Units, before 1/16/2016</b> ) | 1   |
| 10        | 222046   | RECEPTACLE, FLANGED MALE ( <b>Ref-222059</b> ), FHUAS-2                                | 1   |
| 11        | 222059   | POWER CORD, 15A 250V W/TERMINALS ( <b>Ref-222046</b> ), FHUAS-2                        | 1   |
| 12        | 412993   | DIVIDER FRY STATION SHELF, FHUAS-2   | 3   |
| 13        | 1033-850 | SHELF FRY CARTON, 32" WIDE, INLINE & STAND ALONE FHUAS-2                               | 1   |
|           | 1033-853 | SHELF FRY CARTON, 34" WIDE, INLINE & STAND ALONE FHUAS-2                               |     |
|           | 413011   | SHELF FRY CARTON, 36" WIDE, INLINE & STAND ALONE FHUAS-2                               |     |
| 14        | E050217  | DIVIDER, CONDIMENT STORAGE, FHUAS-2  | 6   |
| 15        | 1033-851 | SHELF CONDIMENT STORAGE, 32" WIDE, INLINE & STAND ALONE FHUAS-2                        | 1   |
|           | 1033-854 | SHELF CONDIMENT STORAGE, 34" WIDE, INLINE & STAND ALONE FHUAS-2                        |     |
|           | E050216  | SHELF, CONDIMENT STORAGE, 36" WIDE, INLINE & STAND ALONE FHUAS-2                       |     |
| 16        | 1033-849 | ASY COND. & BAG SHELVES, 32" WIDE, INLINE & STAND ALONE FHUAS-2                        | 1   |
|           | 1033-852 | ASY COND. & BAG SHELVES, 34" WIDE, INLINE & STAND ALONE FHUAS-2                        |     |
|           | E050495  | ASY, COND. & BAG SHELVES, 36" WIDE, INLINE & STAND ALONE FHUAS-2                       |     |
| 17        | E050527  | ASSY, WIRE CHASE, IN-LINE, SCROLL FHU, S.S.  | 1   |
|           | E050490  | ASSY, WIRE CHASE, STAND ALONE & STAND ALONE WALL                                       |     |
| 18        | 214508   | LEG, SS 1-5/8" x 6" ADJUSTABLE, INLINE FHUAS-2   | 4   |
| 19        | 57100    | CATCH, MAGNETIC, INLINE FHUAS-2  | 6   |

**Table: PL-1 Fry Holding Unit Air Scroll (FHUAS-2)**

### 32", 34", & 36" WIDE, FRY HOLDING UNIT AIR SCROLL (FHUAS-2)

|           |          |  |   |
|-----------|----------|--|---|
| 20        | 1033-876 | REMOVABLE PANEL, 32" WIDE INLINE FHUAS-2   | 1 |
|           | 1033-883 | REMOVABLE PANEL, 34" WIDE INLINE FHUAS-2   |   |
|           | E050492  | REMOVABLE PANEL, 36" WIDE INLINE FHUAS-2   |   |
| 21        | 228504   | RING, FINISHING NP 1", INLINE FHUAS-2  | 2 |
| 22        | 222010   | SWITCH, 125V DPST MAINTAINED, FHUAS-2  | 2 |
| 23        | 225436   | MYLAR, FHUAS-2   | 2 |
| 24        | 1033-820 | HOUSING, FRONT, 32" WIDE FHUAS-2   | 1 |
|           | 1033-824 | HOUSING, FRONT, 34" WIDE FHUAS-2   |   |
|           | E050799  | HOUSING, FRONT, 36" WIDE FHUAS-2   |   |
| 25        | 115350   | LANYARD, 8 INCH LONG, FHUAS-2  | 2 |
| 26a       | 1033-928 | ASSEMBLY BOARD, VOLTAGE REDUCER, FHUAS-2   | 2 |
| 26b       | 1033-929 | ASSEMBLY BOARD, VOLTAGE REDUCER, FLAT <i>(36" Wide Counter Top Version Only)</i> |   |
| Not Shown | 222724   | RELAY, TE T92, 120V COIL, DPST N.O. CONTACTS                                     | 1 |
| Not Shown | 223529   | TERMINAL BLOCK, 4 CIRCUIT, FHUAS-2   | 2 |
| Not Shown | E050817  | COVER PLATE, SHELF HOLES, FHUAS-2  | 1 |
| Not Shown | 229401   | INSTRUCTIONS, FRY HOLDING UNIT, DAILY CLEANING                                   | 1 |

### 36" WIDE, MOTOR COOLING RETURN BOX, FHUAS-2

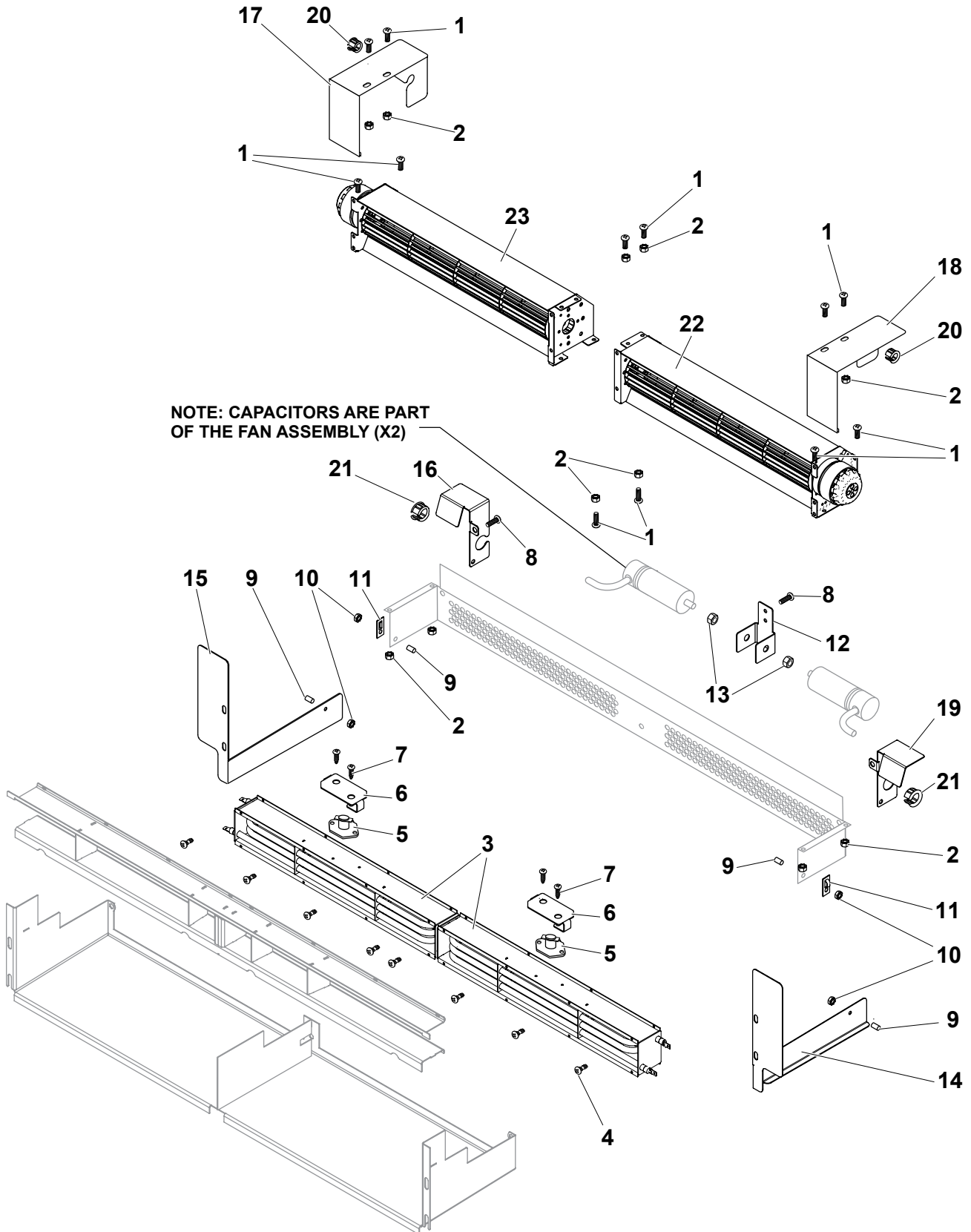
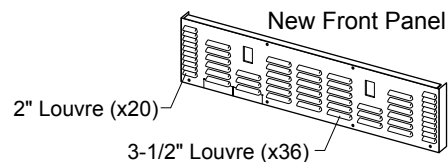
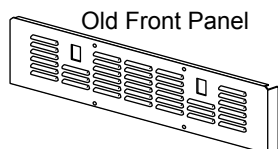


Figure: PL-2 36" Motor Cooling Return Box (FHUAS-2)

## 36" WIDE, MOTOR COOLING RETURN BOX, FHUAS-2

| ITEM      | PN       | DESCRIPTION  | QTY |
|-----------|----------|--|-----|
| 1         | 213359   | SCREW, 8-32x1/2 THRUSS PHILLI S/S  | 12  |
| 2         | 223309   | NUT, KEEPS #8-32 SS  | 12  |
| 3         | 225445   | HEATER,CALROD 120V 1850W   | 2   |
| 4         | 223353   | SCREW, 8-32X 3/8 PPHTCS F W/THREAD LOCK  | 8   |
| 5         | 155753   | THERMOSTAT, HI LIMIT   | 2   |
| 6         | 1033-520 | GUARD, HIGH LIMIT, FHU   | 2   |
| 7         | 213032   | SCREW,8-18x1/2" TEK PHIL   | 4   |
| 8         | 213064   | SCREW,10-24x1/2" TCS RD H  | 3   |
| 9         | 167209   | STUD,PEM 10-24 X 1/2 S/S FHS-024-8   | 4   |
| 10        | 213322   | NUT KEPS 10-24   | 4   |
| 11        | 156912   | BASE,CABLE MTG TIE   | 2   |
| 12        | 1033-629 | BRACKET, CAPACITOR   | 1   |
| 13        | 223106   | NUT, M8 18-8 SS HEX 1.25 PITCH 13MM W-6.5MM H  | 2   |
| 14        | E050794  | PANEL, LEFT, BACK, FHUAS, MOTOR COOL   | 1   |
| 15        | E050793  | PANEL, RIGHT, BACK, FHUAS, MOTOR COOL  | 1   |
| 16        | E050795  | PANEL, FRONT, RIGHT, FHUAS, MOTOR COOL   | 1   |
| 17        | E050796  | PANEL, TOP, RIGHT, FHUAS, MOTOR COOL   | 1   |
| 18        | E050798  | PANEL, TOP, LEFT, FHUAS, MOTOR COOL  | 1   |
| 19        | E050797  | PANEL, FRONT, LEFT, FHAUS, MOTOR COOL  | 1   |
| 20        | 175512   | BUSHING,HEYCO # 2871 OPEN/CLOSE  | 2   |
| 21        | 514795   | BUSHING, .875 O/C HEYCO 2874   | 2   |
| 22        | 225443D  | FAN MOTOR, LH (Rev-D), 36" Wide FHUAS-2  | 1   |
| 23        | 225442D  | FAN MOTOR, RH (Rev-D), 36" Wide FHUAS-2  | 1   |
| Not Shown | 414268   | RETRO-KIT, LH & RH FAN MOTORS (Rev-D), 36" WIDE FHUAS-2  | 1   |
| Not Shown | 414271   | RETRO-KIT, LH & RH FAN MOTORS (Rev-D), RELAYS, FRONT PANEL WITH SWITCHES & DUCT WORK, 36" WIDE FHUAS-2 | 1   |

The above KIT (414271) may be required for an older version of the FHUAS-2. The **Front Panel** (E050799) has been updated and now has additional 2" louvres along both sides of the front panel. If the front panel on unit does not have these additional 2" louvres, kit number 414271 should be installed.



All fan motor replacements for 36" wide FHUAS-2 units, should Use the current "Rev-D" Fan Motors. Rev-D Fan Motors are labeled with the Manufacture's part number listed below.

- 1073269 - Left Hand Fan Motor
- 1073270 - Right Hand Fan Motor

**Table: PL-2 36" Motor Cooling Return Box (FHUAS-2)**

### 32" & 34" WIDE, MOTOR COOLING RETURN BOX, FHUAS-2

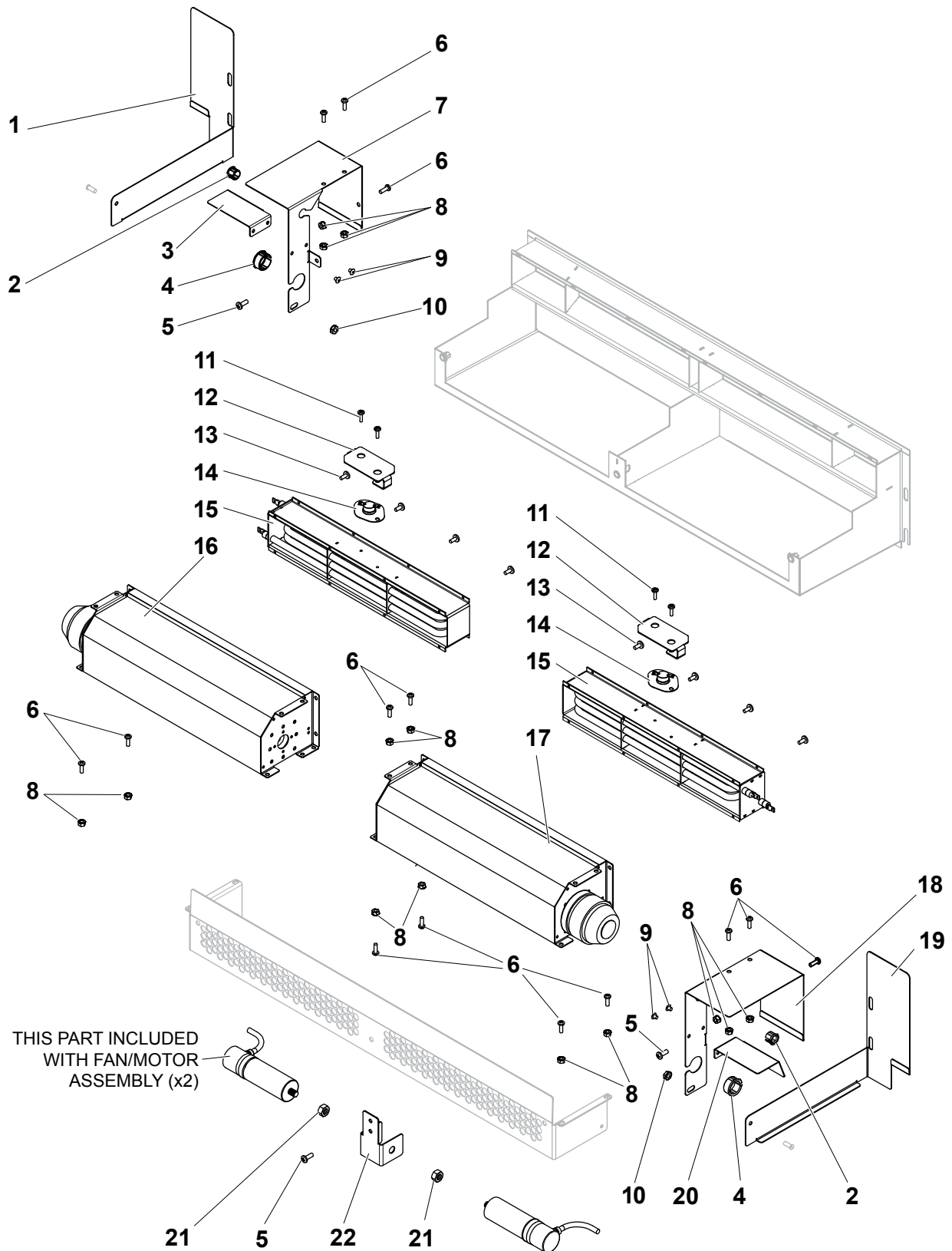


Figure: PL-3 32" & 34" Motor Cooling Return Box (FHUAS-2)



### 32" & 34" WIDE, MOTOR COOLING RETURN BOX, FHUAS-2

| ITEM      | PN       | DESCRIPTION   | QTY |
|-----------|----------|---|-----|
| 1         | 1033-812 | REAR COOLING PANEL, LEFT, 32" WIDE FHUAS-2              | 1   |
|           | 1033-827 | REAR COOLING PANEL, LEFT, 34" WIDE FHUAS-2              |     |
| 2         | 175512   | BUSHING,HEYCO # 2871 OPEN/CLOSE                         | 2   |
| 3         | 1033-816 | COOLING DUCT, LEFT, 32" WIDE FHUAS-2                    | 1   |
|           | 1033-831 | COOLING DUCT, LEFT, 34" WIDE, FHUAS-2                   |     |
| 4         | 514795   | BUSHING, .875 O/C HEYCO 2874                            | 2   |
| 5         | 213064   | SCREW,10-24X1/2" TCS RD H                               | 3   |
| 6         | 213359   | SCREW, 8-32 X 1/2" THRUSS PHILLIPS S/S                  | 14  |
| 7         | 1033-814 | COOLING HOOD, LEFT, 32" WIDE FHUAS-2                    | 1   |
|           | 1033-829 | COOLING HOOD, LEFT, 34" WIDE FHUAS-2                    |     |
| 8         | 223309   | NUT, KEEPS #8-32 SS                                     | 1   |
| 9         | 213166   | RIVET,SS DOME HD SS-52                                  | 4   |
| 10        | 213322   | NUT KEPS 10-24  | 2   |
| 11        | 213032   | SCREW,8-18X1/2" TEK PHIL                                | 4   |
| 12        | 1033-520 | GUARD, HIGH LIMIT                                       | 2   |
| 13        | 223353   | SCREW, 8-32X 3/8 PPHTCS F W/THREAD LOCK                 | 8   |
| 14        | 155753   | THERMOSTAT, HI LIMIT                                    | 2   |
| 15        | 225449   | 32" & 34" HEATER, 120V, 1850W                           | 2   |
| 16        | 225445D  | FAN MOTOR, LH (Rev-D), 32" and 34" WIDE FHUAS-2         | 1   |
| 17        | 225444D  | FAN MOTOR, RH (Rev-D), 32" and 34" WIDE FHUAS-2         | 1   |
| Not Shown | 414269   | RETRO-KIT, LH & RH FAN MOTORS (Rev-D), 34" WIDE FHUAS-2 | 1   |
| Not Shown | 414270   | RETRO-KIT, LH & RH FAN MOTORS (Rev-D), 32" WIDE FHUAS-2 | 1   |
| 18        | 1033-813 | COOLING HOOD, RIGHT, 32" WIDE FHUAS-2                   | 1   |
|           | 1033-828 | COOLING HOOD, RIGHT, 34" WIDE FHUAS-2                   |     |
| 19        | 1033-811 | REAR COOLING PANEL, RIGHT, 32" WIDE FHUAS-2             | 1   |
|           | 1033-826 | REAR COOLING PANEL, RIGHT, 34" WIDE FHUAS-2             |     |
| 20        | 1033-815 | COOLING DUCT, RIGHT, 32" WIDE FHUAS-2                   | 1   |
|           | 1033-830 | COOLING DUCT, RIGHT, 34" WIDE FHUAS-2                   |     |
| 21        | 223106   | NUT, M8 18-8 SS HEX 1.25 PITCH 13MM W-6.5MM H           | 2   |
| 22        | 1033-629 | BRACKET, CAPACITOR                                      | 1   |

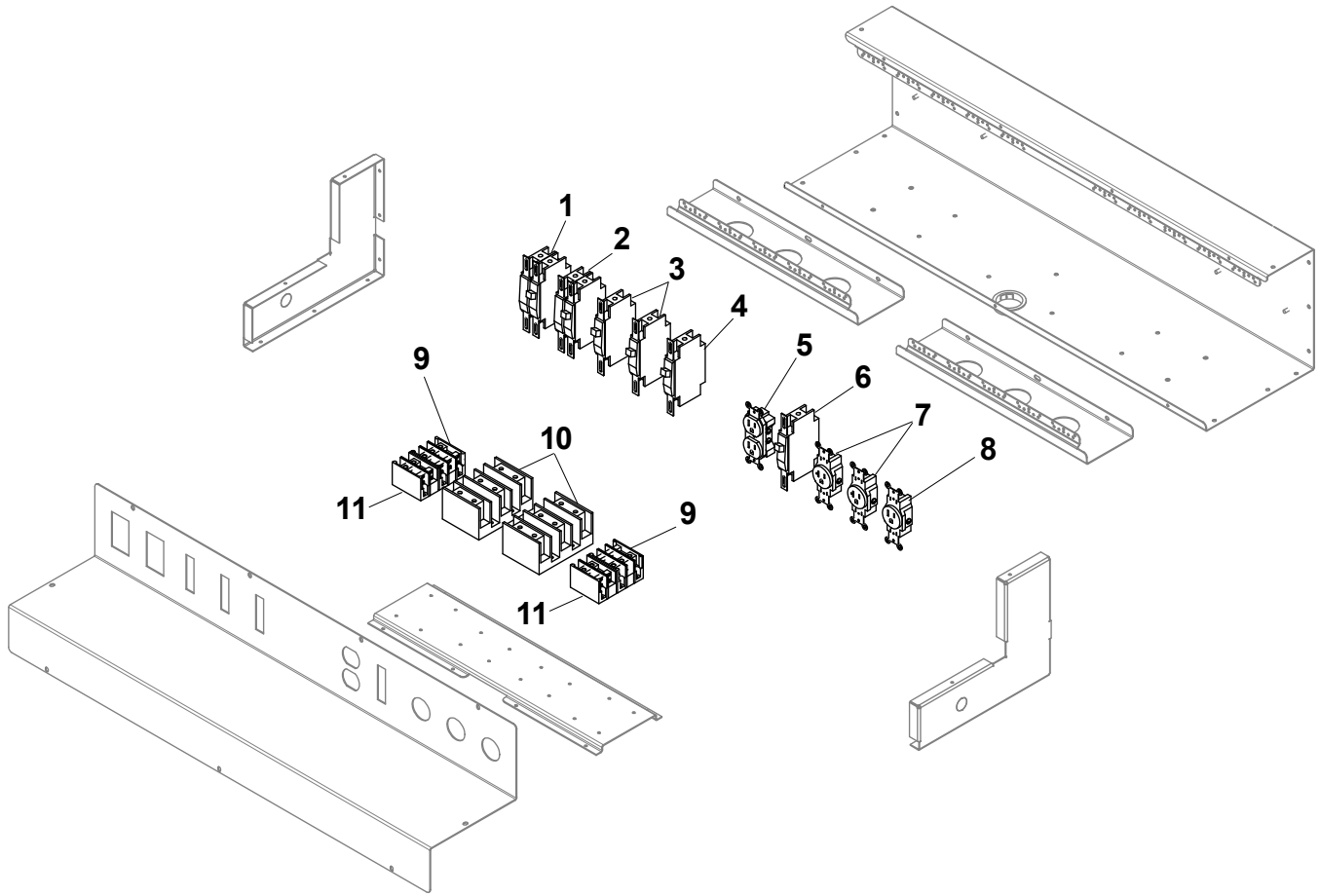
All Fan Motor replacements for 32" & 34" wide FHUAS-2 units, should use the current "Rev-D" Fan Motors. Rev-D Fan Motors are labeled with the Manufacture's part number listed below.

1073267 - Left Hand Fan Motor

1073268 - Right Hand Fan Motor

**Table: PL-3 32" & 34" Motor Cooling Return Box (FHUAS-2)**

**WIRE CHASE: 36" WIDE, IN-LINE UNITS, FHUAS-2**

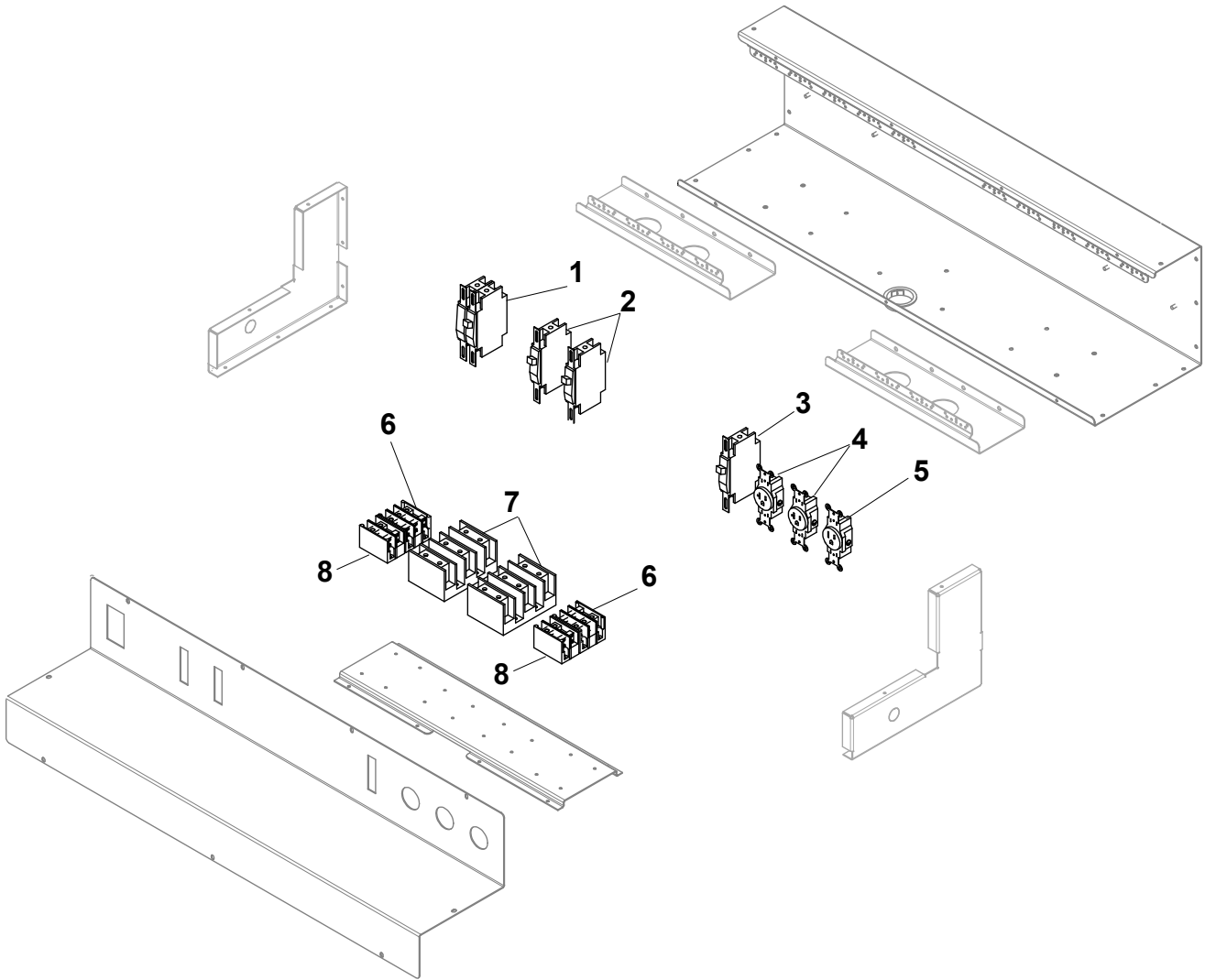


**Figure: PL-4 Wire Chase: 36" Wide, In-Line Units, FHUAS-2**

| ITEM | PN     | DESCRIPTION                             | QTY |
|------|--------|---|-----|
| 1    | 222602 | BREAKER, 15A DBL POLE #QOU215           | 1   |
| 2    | 212998 | BREAKER, SQD 2P 20A QOU220              | 1   |
| 3    | 212997 | BREAKER,SINGLE 1P 20A QOU120            | 2   |
| 4    | 212996 | BREAKER, SINGLE 1P 15A QOU115           | 1   |
| 5    | 222177 | RECEPTACLE, NEMA 5-15R BROWN 5252AB     | 1   |
| 6    | 212995 | BREAKER, SINGLE 1P 10A QOU110           | 1   |
| 7    | 212337 | RECEPTACLE, 5-20 SINGLE GRAY, 20A, 125V | 2   |
| 8    | 212177 | RECPT, ELEC 5-15 SINGLE HBL5261         | 1   |
| 9    | 212994 | BLOCK, TERMINAL 3 POLE 9080LBA361104    | 2   |
| 10   | 222018 | BLOCK, TERMINAL 3 CONN.                 | 2   |
| 11   | 212993 | BLOCK, TERMINAL 2 POLE 9080LBA261104    | 2   |

**Table: PL-4 Wire Chase: 36" Wide, In-Line Units, FHUAS-2**

## WIRE CHASE: 36" WIDE, STAND-ALONE & WALL UNITS, FHUAS-2



**Figure: PL-5 Wire Chase: 36" Wide, Stand-Alone & Wall Units, FHUAS-2**

| ITEM | PN     | DESCRIPTION                             | QTY |
|------|--------|---|-----|
| 1    | 222602 | BREAKER, 15A DBL POLE #QOU215           | 1   |
| 2    | 212997 | BREAKER, SINGLE 1P 20A QOU120           | 2   |
| 3    | 212995 | BREAKER, SINGLE 1P 10A QOU110           | 1   |
| 4    | 212337 | RESEPTACLE, 5-20 SINGLE GRAY, 20A, 125V | 2   |
| 5    | 212177 | RECPT, ELEC 5-15 SINGLE HBL5261         | 1   |
| 6    | 212994 | BLOCK, TERMINAL 3 POLE 9080LBA361104    | 2   |
| 7    | 222018 | BLOCK, TERMINAL 3 CONN.                 | 2   |
| 8    | 212993 | BLOCK, TERMINAL 2 POLE 9080LBA261104    | 2   |

**Table: PL-5 Wire Chase: 36" Wide, Stand-Alone & Wall Units, FHUAS-2**

## TELESCOPING SHELF ASSEMBLY FOR 32", 34" & 36" WIDE, FHUAS-2

RH PYLON TUNING PLATE SHOWN.

MOUNT WITH TEXT "RIGHT PYLON"  
ON THE SAME SIDE AS SHELF PYLON.

LH PYLON TUNING PLATE SHOWN.

MOUNT WITH TEXT "LEFT PYLON"  
ON THE SAME SIDE AS SHELF PYLON.

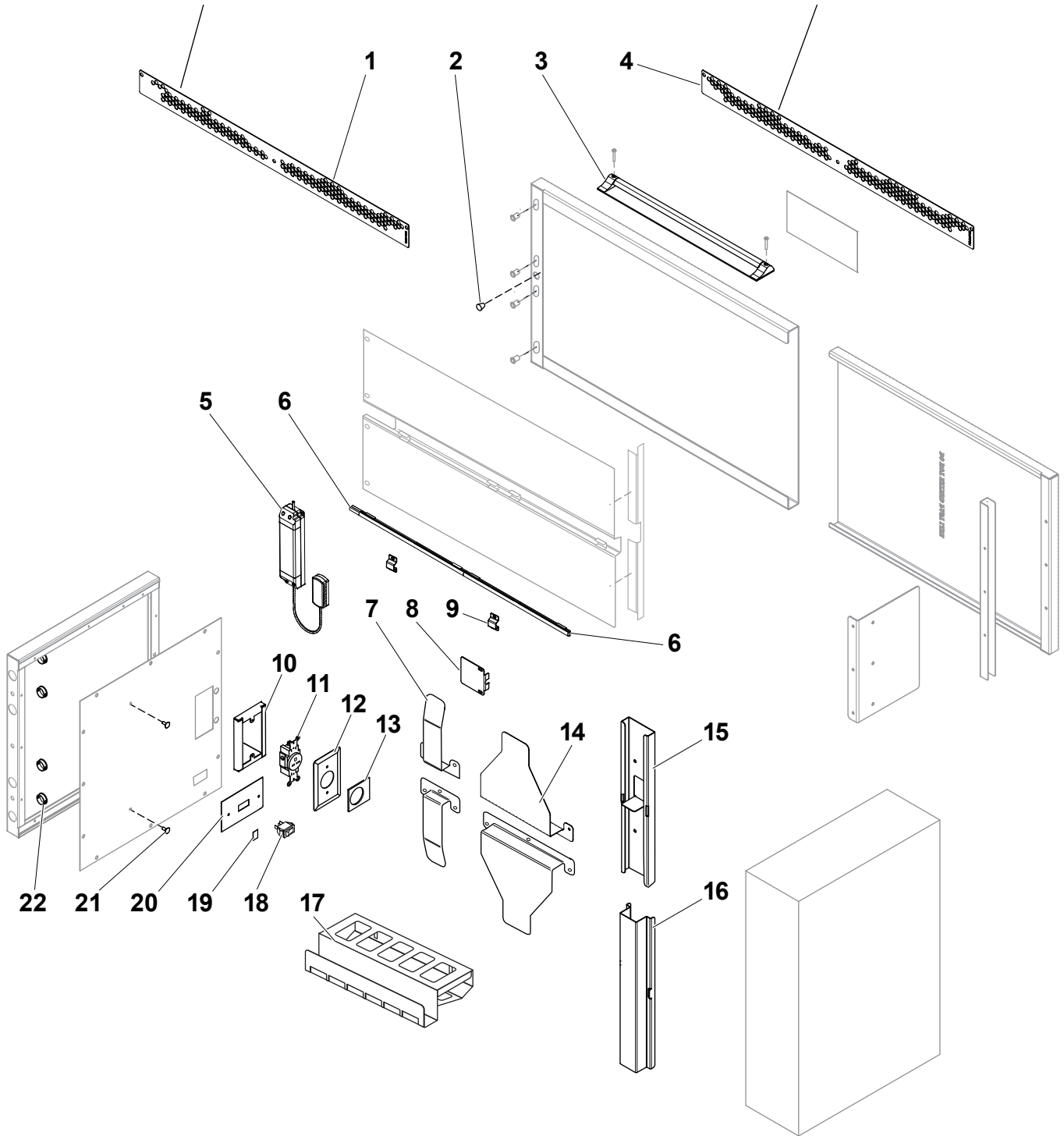


Figure: PL-6 Telescoping Shelf Assembly for 32" 34" & 36" Wide, FHUAS-2

## TELESCOPING SHELF, ASSEMBLY FOR 32", 34" & 36" WIDE, FHUAS-2

| ITEM      | PN       | DESCRIPTION  | QTY    |
|-----------|----------|--|--------|
| 1         | E050708  | BALANCE PLATE ( <i>Telescoping, RH, for 36" Wide, FHUAS-2</i> )                    | 1      |
|           | 1033-934 | BALANCE PLATE ( <i>Telescoping, RH &amp; LH, for 32" &amp; 34" Wide, FHUAS-2</i> ) |        |
| 2         | 212047   | BUSHING, HEYCO SB-500-6 3  | 1      |
| 3         | 225717   | TICKET RAIL 18" #CK6518A   | 1      |
| 4         | E050709  | BALANCE PLATE ( <i>Telescoping, LH, for 36" Wide, FHUAS-2</i> )                    | 1      |
|           | 1033-934 | BALANCE PLATE ( <i>Telescoping, RH &amp; LH, for 32" &amp; 34" Wide, FHUAS-2</i> ) |        |
| 5         | 225855   | DRIVER, LED, 24VDC 30W POWER SULLPY 120V 60HZ                                      | 1      |
| 6         | 225851   | LIGHT, LED 12" CW 2.4W, 24VDC  | 1 or 2 |
|           | 225852   | LIGHT, LED 8" CW 1.6W, 24VDC   | 1      |
| 7         | E050571  | ONION SCOOP HOLDER, RETAINED, EXPEDITE   | 1      |
| 8         | E030923  | PANEL LIGHT COVER PHU SHELF  | 1      |
| 9         | E020583  | RETAINER LED RECESSED  | 2      |
| 10        | E050782  | 2 × 4 OVERSIZED JBOX, FHUAS SHELF  | 1      |
| 11        | 212464   | RECPT, 6-15R SINGLE BROWN 15A 250V   | 1      |
| 12        | E050774  | COVER, IRHS RECPT, NEMA 6-15   | 1      |
| 13        | 229383   | LABEL, 6-15 IRHS FRY STATION CHASE   | 1      |
| 14        | E050050  | FRY SCOOP HOLDER, LARGE SIDE   | 1      |
| 15        | E020892  | BRACKET REMOVABLE TONG HOLDER  | 1      |
| 16        | E020893  | CHANNEL REMOVABLE TONG HOLDER  | 1      |
| 17        | E050788  | FRY RIBBON, 1-PIECE  | 1      |
| 18        | 212288   | SWITCH, LIGHTED  | 1      |
| 19        | 214440   | LABEL, OFF-SWITCH  | 1      |
| 20        | 222180   | PLATE, ROCKER SWITCH UTILITY   | 1      |
| 21        | 213390   | BOLT, CARRIAGE 10-24 × 1/2 SS MACHINE  | 2      |
| 22        | 212911   | BUSHING, 7/8" HEYCO 2850   | 4      |
| Not Shown | 225861   | CORD, LED SINGLE 98"   | 1      |
| Not Shown | 225465   | HARNESS, IRHS RECEPTACLE   | 1      |

**Table: PL-6 Telescoping Shelf Assembly for 32", 34" & 36" Wide, FHUAS-2**

## FREE STANDING SHELF ASSEMBLY FOR 32", 34" & 36" WIDE, FHUAS-2

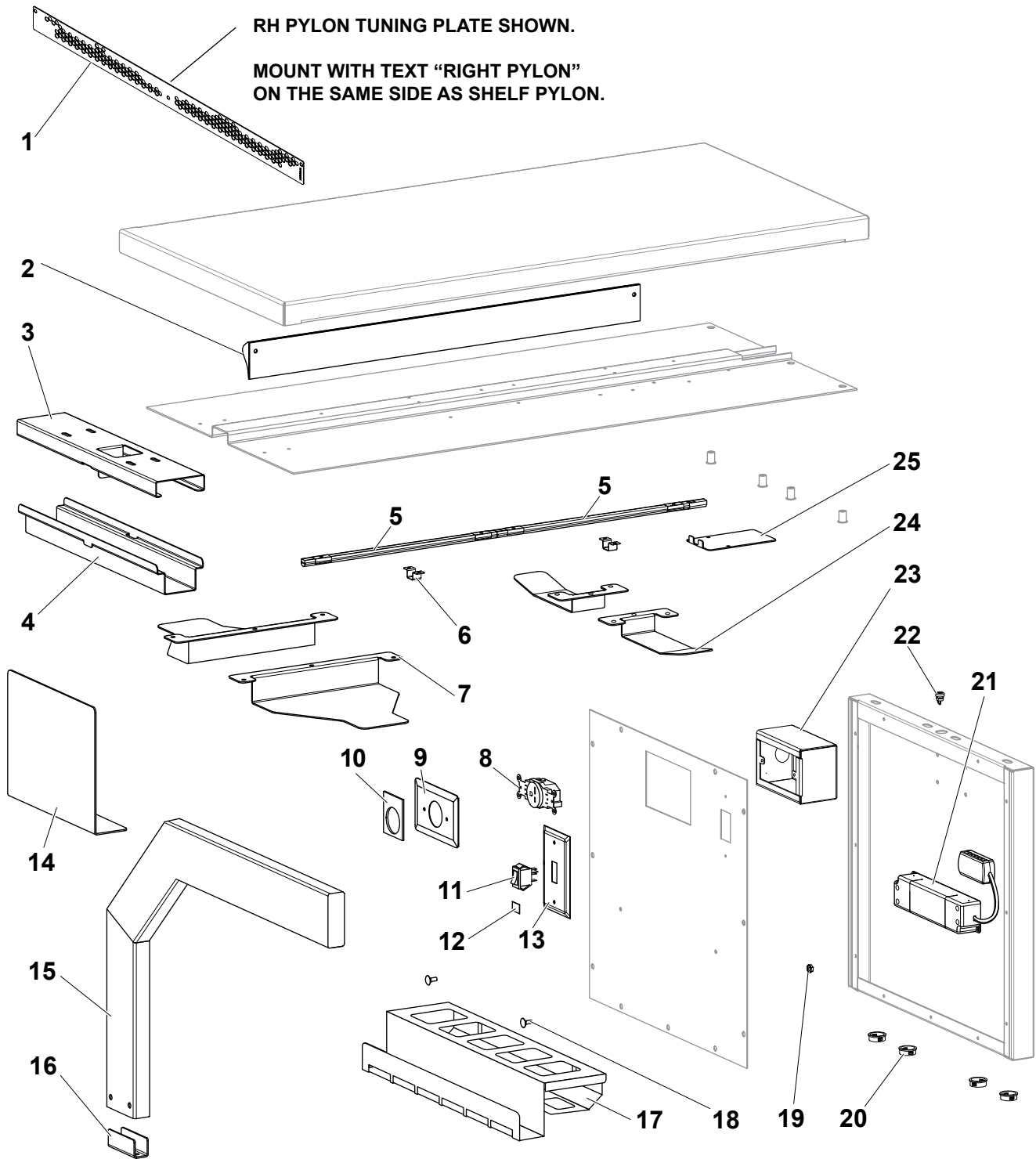


Figure: PL-7 Free Standing Shelf Assembly for 32" 34" & 36" Wide, FHUAS-2

**FREE STANDING SHELF ASSEMBLY FOR 32", 34" & 36" WIDE, FHUAS-2**

| ITEM      | PN       | DESCRIPTION   | QTY |
|-----------|----------|---|-----|
| 1         | E050708  | BALANCE PLATE ( <i>Free Standing, RH, for 36" Wide, FHUAS-2</i> )                       | 1   |
|           | E050709  | BALANCE PLATE ( <i>Free Standing, LH, for 36" Wide, FHUAS-2</i> )                       |     |
|           | 1033-934 | BALANCE PLATE ( <i>Free Standing, RH &amp; LH, for 32" &amp; 34" Wide, FHUAS-2</i> )    |     |
| 2         | 225716   | 24" TICKET RAIL ( <i>Free Standing, for 32" 34" &amp; 36" Wide, FHUAS-2</i> )           | 1   |
|           | 225717   | 18" TICKET RAIL ( <i>Specail, Free Standing, 30" Wide Shelf, for 36" Wide FHUAS-2</i> ) |     |
| 3         | E020892  | BRACKET REMOVABLE TONG HOLDER   | 1   |
| 4         | E020893  | CHANNEL REMOVABLE TONG HOLDER   | 1   |
| 5         | 225851   | LIGHT, LED 12" CW, 2.4W, 24VDC  | 1   |
|           | 225852   | LIGHT, LED 8" CW, 1.6W, 24VDC   |     |
| 6         | E020583  | RETAINER LED RECESSED   | 2   |
| 7         | E050050  | FRY SCOOP HOLDER, LARGE SIDE  | 2   |
| 8         | 212464   | RECPT, 6-15R SINGLE BROWN 15A 250V  | 1   |
| 9         | E050774  | COVER, IRHS RECPT, NEMA 6-15  | 1   |
| 10        | 229383   | LABEL, 6-15 IRHS FRY STATION CHASE  | 1   |
| 11        | 212288   | SWITCH, LIGHTED   | 1   |
| 12        | 214440   | LABEL, OFF-SWITCH   | 1   |
| 13        | 222180   | PLATE, ROCKER SWITCH UTILITY  | 1   |
| 14        | E020591  | BRACKET SHELF SUPPORT EXPEDITE  | 1   |
| 15        | E050745  | SHELF LEG ASSEMBLY, WELDED  | 1   |
| 16        | E020589  | BRACKET SHELF LEG FOOT EXPEDITE   | 1   |
| 17        | E050788  | FRY RIBBON, 1-PIECE   | 1   |
| 18        | 213390   | BOLT, CARRIAGE 10-24 × 1/2 SS MACHINE   | 2   |
| 19        | 213322   | NUT KEPS 10-24  | 2   |
| 20        | 212911   | BUSHING, 7/8" HEYCO 2850  | 4   |
| 21        | 225855   | DRIVER, LED, 24VDC 30W POWER SULLPY 120V 60HZ   | 1   |
| 22        | 212047   | BUSHING, HEYCO sb-500-6 3   | 1   |
| 23        | E050782  | 2 × 4 OVERSIZED JBOX, FHUAS SHELF   | 1   |
| 24        | E050571  | ONION SCOOP HOLDER, RETAINED, EXPEDITE  | 2   |
| 25        | E020776  | PHU SHELF PANEL LIGHT COVER   | 1   |
| Not Shown | 225861   | CORD, LED SINGLE 98"  | 1   |
| Not Shown | 225465   | HARNES, IRHS RECEPTACLE   | 1   |

**Table: PL-7 Free Standing Shelf Assembly for 32" 34" & 36" Wide, FHUAS-2**

## ENCLOSED BACK, SHELF ASSEMBLY FOR 32" 34" & 36" WIDE, FHUAS-2

LH PYLON TUNING PLATE SHOWN.

MOUNT WITH TEXT "LEFT PYLON"  
ON THE SAME SIDE AS SHELF PYLON.

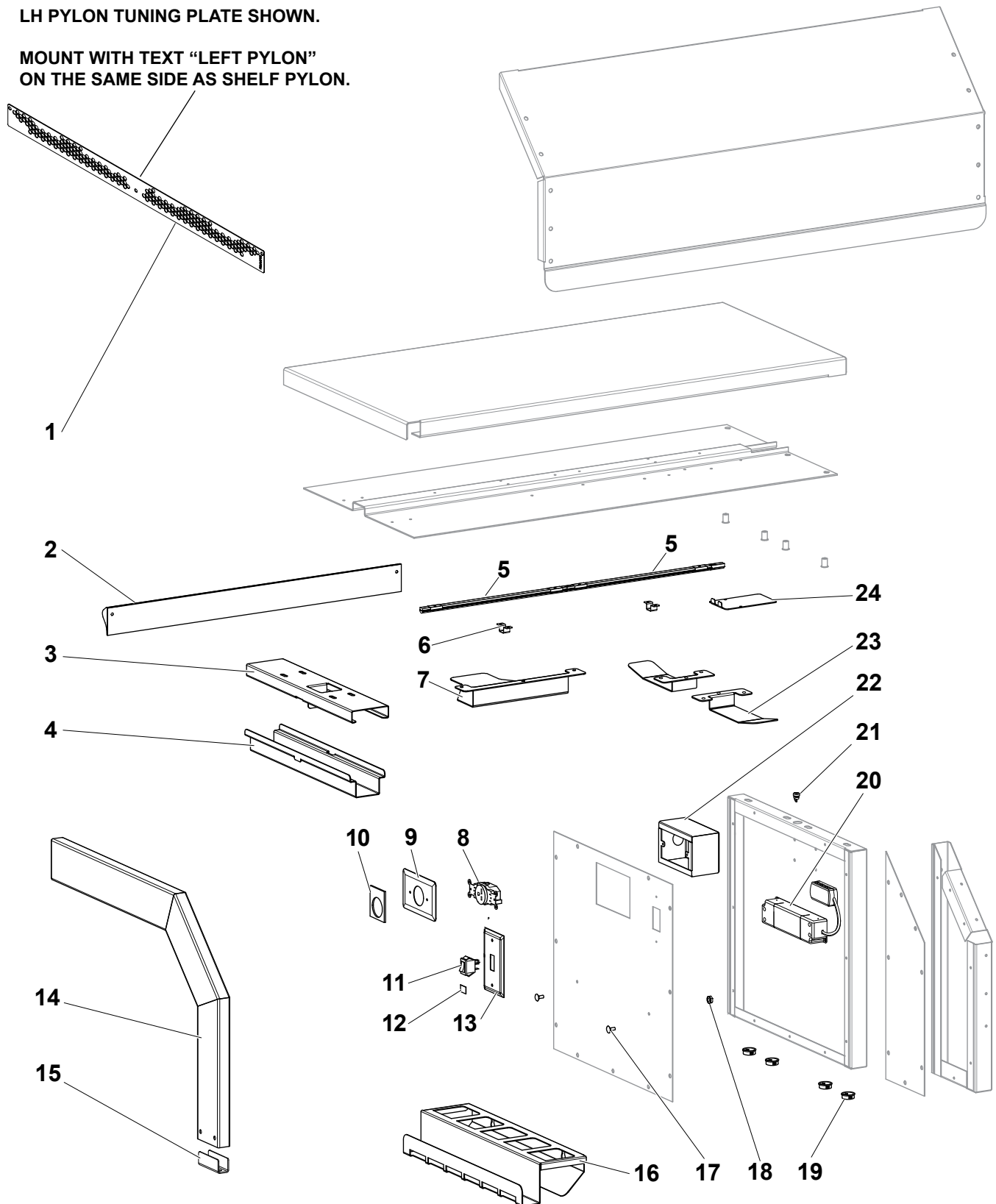


Figure: PL-8 Enclosed Back, Shelf Assembly for 32" 34" & 36" Wide, FHUAS-2



**ENCLOSED BACK SHELF ASSEMBLY FOR 32" 34" & 36" WIDE, FHUAS-2**

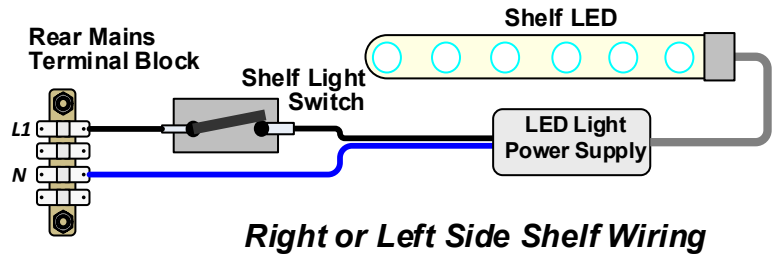
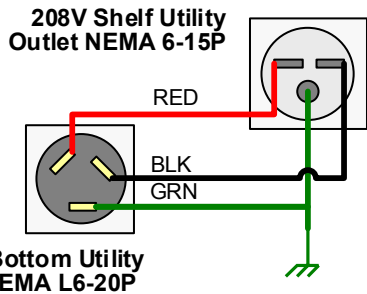
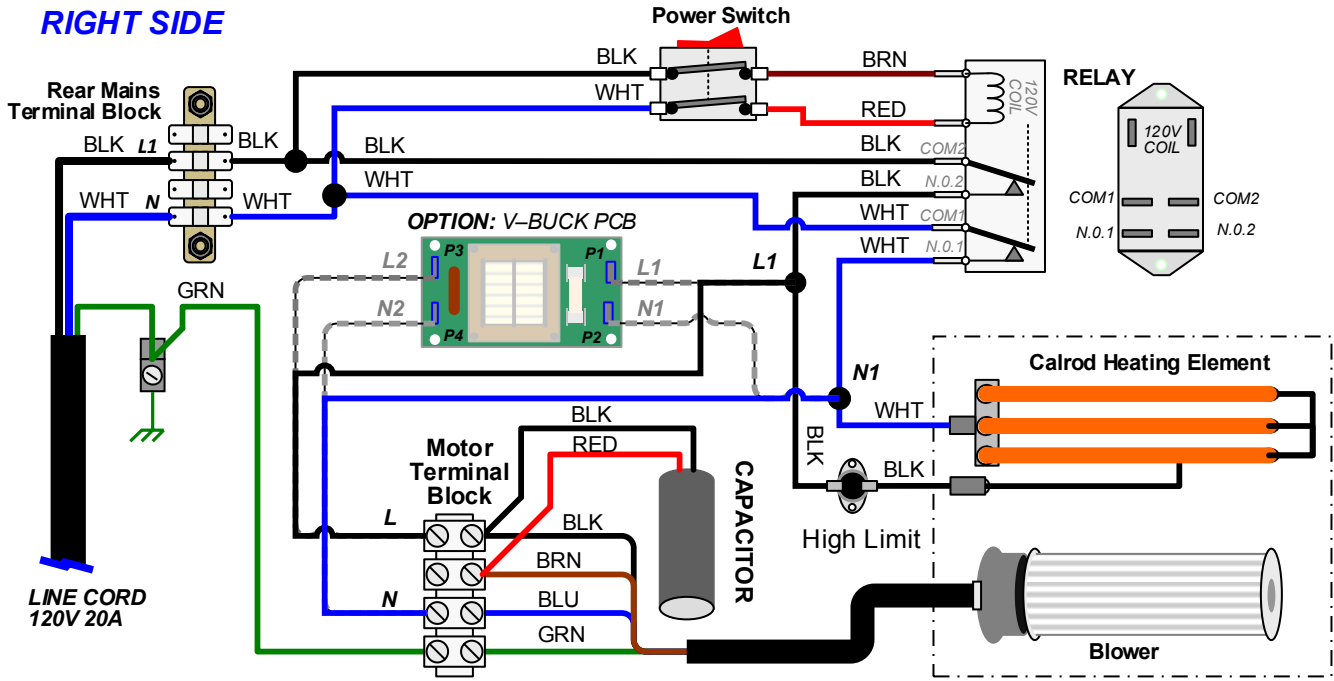
| ITEM      | PN       | DESCRIPTION   | QTY    |
|-----------|----------|---|--------|
| 1         | E050708  | BALANCE PLATE ( <i>Enclosed, RH, for 36" Wide, FHUAS-2</i> ), Not Shown         | 1      |
|           | E050709  | BALANCE PLATE ( <i>Enclosed, LH, for 36" Wide, FHUAS-2</i> ), Shown             |        |
|           | 1033-934 | BALANCE PLATE ( <i>Enclosed, RH &amp; LH, for 32" &amp; 34" Wide, FHUAS-2</i> ) |        |
| 2         | 225716   | TICKET RAIL 24" #CK6524A  | 1      |
|           | 225717   | TICKET RAIL 18" #CK6518A  |        |
| 3         | E020892  | BRACKET REMOVABLE TONG HOLDER   | 1      |
| 4         | E020893  | CHANNEL REMOVABLE TONG HOLDER   | 1      |
| 5         | 225851   | LIGHT, LED 12" CW 2.4W, 24VDC   | 1 or 2 |
|           | 225852   | LIGHT, LED 8" CW 1.6 W, 24VDC   | 1      |
| 6         | E020583  | RETAINER LED RECESSED   | 2      |
| 7         | E050050  | FRY SCOOP HOLDER, LARGE SIDE  | 2      |
| 8         | 212464   | RECPT, 6-15R SINGLE BROWN 15A 250V  | 1      |
| 9         | E050774  | COVER, IRHS RECPT, NEMA 6-15  | 1      |
| 10        | 229383   | LABEL, 6-15 IRHS FRY STATION CHASE  | 1      |
| 11        | 212288   | SWITCH, LIGHTED   | 1      |
| 12        | 214440   | LABEL, OFF-SWITCH   | 1      |
| 13        | 222180   | PLATE, ROCKER SWITCH UTILITY  | 1      |
| 14        | E050745  | SHELF LEG ASSEMBLY, WELDED  | 1      |
| 15        | E020589  | BRACKET SHELF LEG FOOT EXPEDITE   | 1      |
| 16        | E050788  | FRY RIBBON, 1-PIECE   | 1      |
| 17        | 213390   | BOLT, CARRIAGE 10-24 × 1/2 SS MACHINE   | 2      |
| 18        | 213322   | NUT KEPS 10-24  | 2      |
| 19        | 212911   | BUSHING, 7/8" HEYCO 2850  | 5      |
| 20        | 225855   | DRIVER, LED, 24VDC 30W POWER SULLPY 120V 60HZ                                   | 1      |
| 21        | 212047   | BUSHING, HEYCO SB-500-6 3   | 1      |
| 22        | E050782  | 2 × 4 OVERSIZED JBOX, FHUAS SHELF   | 1      |
| 23        | E050571  | ONION SCOOP HOLDER, RETAINED, EXPEDITE  | 2      |
| 24        | E020776  | SHELF PANEL LIGHT COVER   | 1      |
| Not Shown | E020591  | BRACKET SHELF SUPPORT EXPEDITE  | 1      |
| Not Shown | 225861   | CORD, LED SINGLE 98"  | 1      |
| Not Shown | 225465   | HARNESS, IRHS RECEPTACLE  | 1      |

**Table: PL-8 Enclosed Back, Shelf Assembly for 32" 34" & 36" Wide, FHUAS-2**

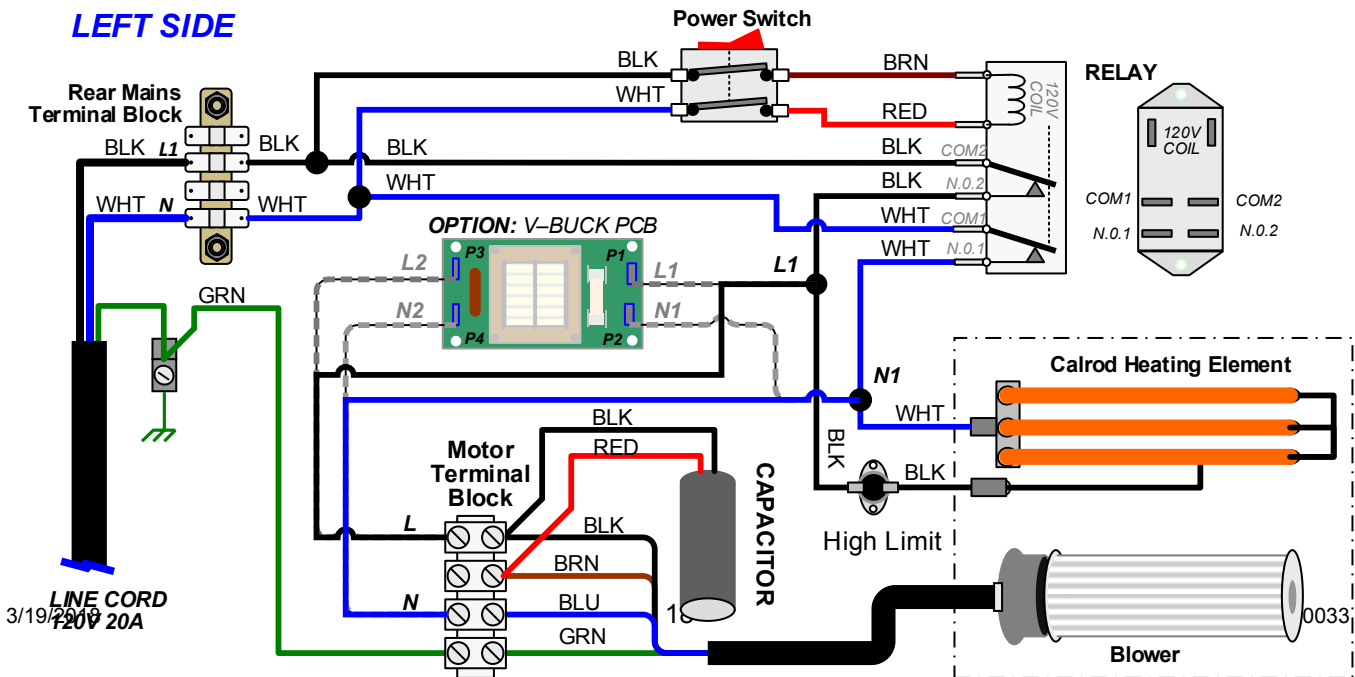
# Wire Diagram FHUAS2

229014 Rev. B 03-08-17

## RIGHT SIDE

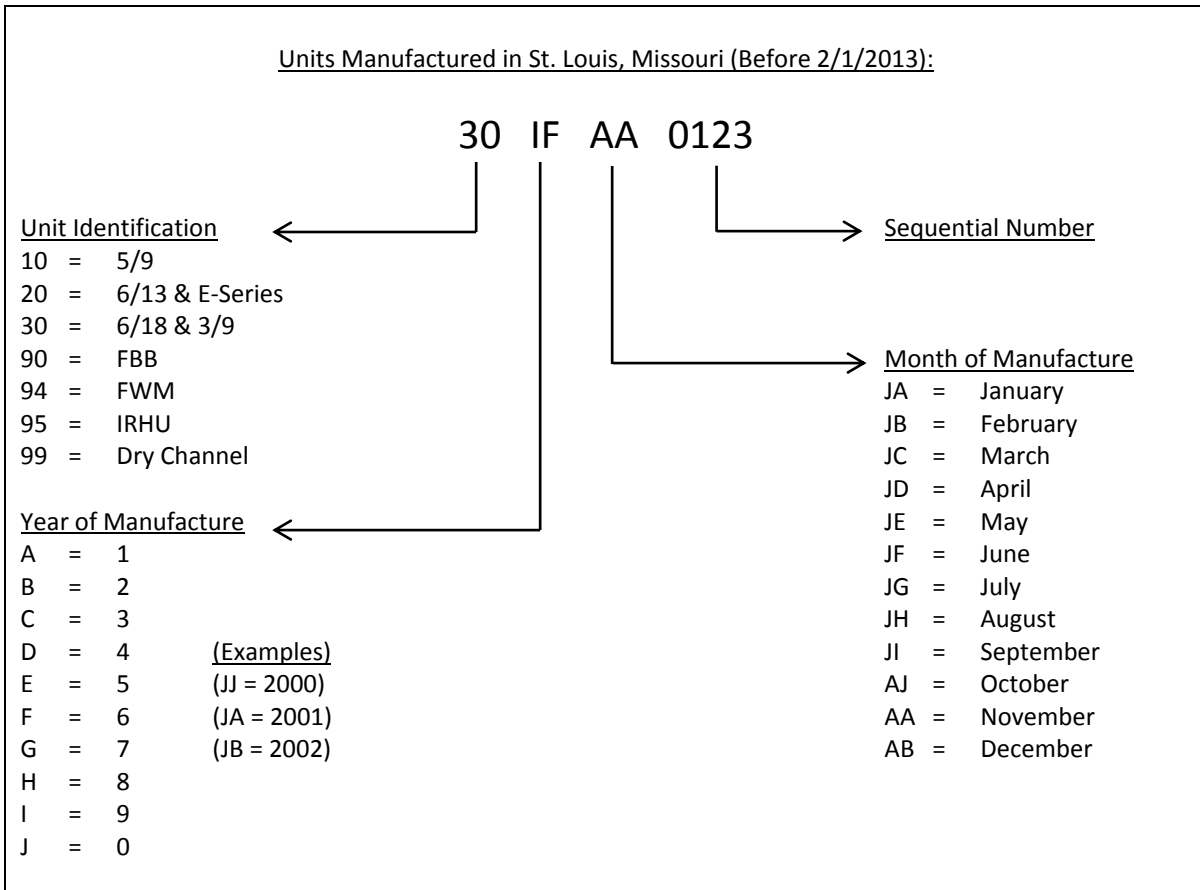
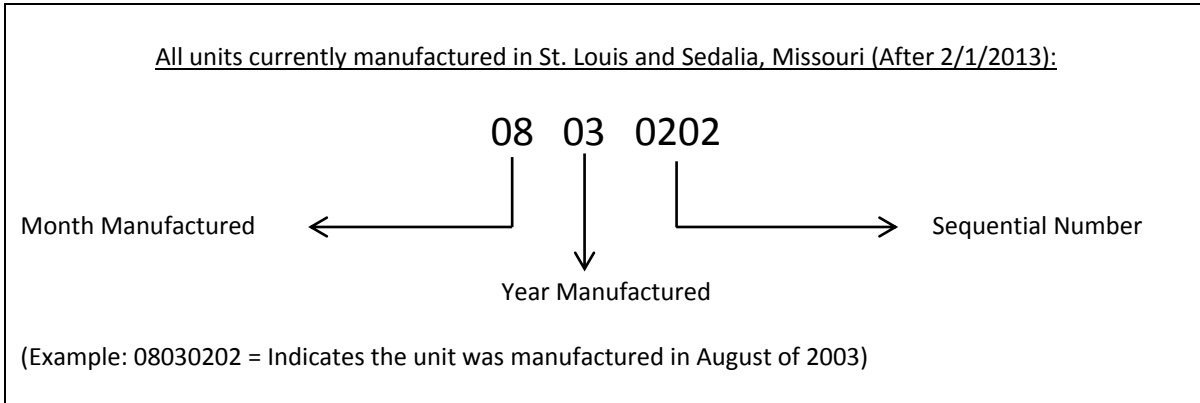


## LEFT SIDE



## HOW TO DETERMINE MANUFACTURE DATE FROM DUKE EQUIPMENT SERIAL NUMBERS

### How to Determine Manufacture Date from Duke Equipment Serial Numbers





*"Your Solutions Partner"*

## **Duke Manufacturing Company**

**2305 N. Broadway  
St. Louis, MO 63102  
Phone: 314-231-1130  
Toll Free: 1-800-735-3853  
Fax: 314-231-5074  
[www.dukemfg.com](http://www.dukemfg.com)**