



Your Solutions Partner

Flexible Batch Broiler Domestic Version

MODELS:

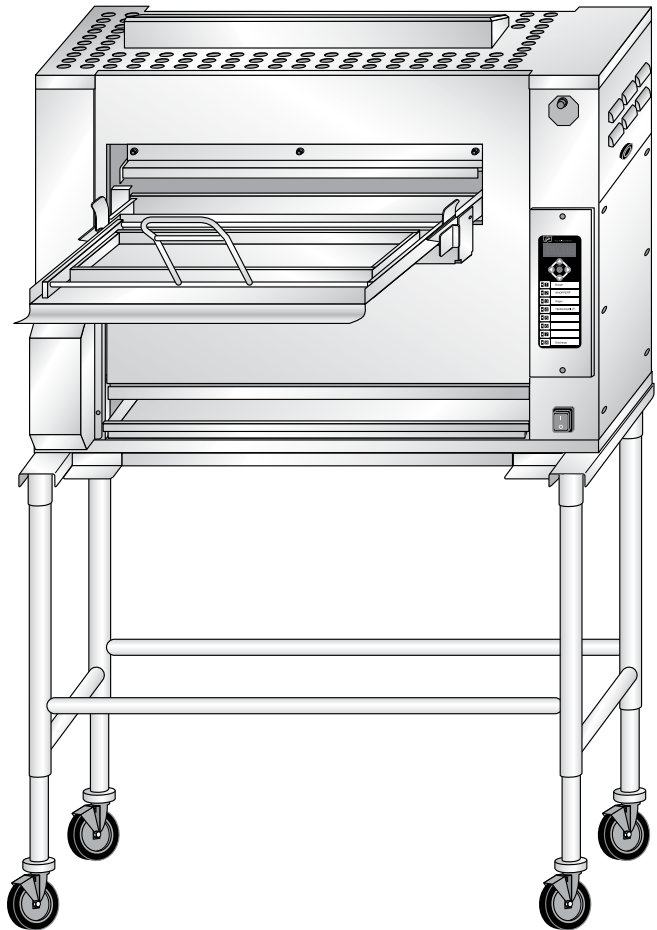
FBB-NO-120

FBB-NC-120

FBB-PO-120

FBB-PC-120

Illustrated Parts List



*This manual is Copyright © 2018 Duke Manufacturing Company. All rights reserved.
Reproduction without written permission is prohibited. Duke is a registered
trademark of the Duke Manufacturing Company.*

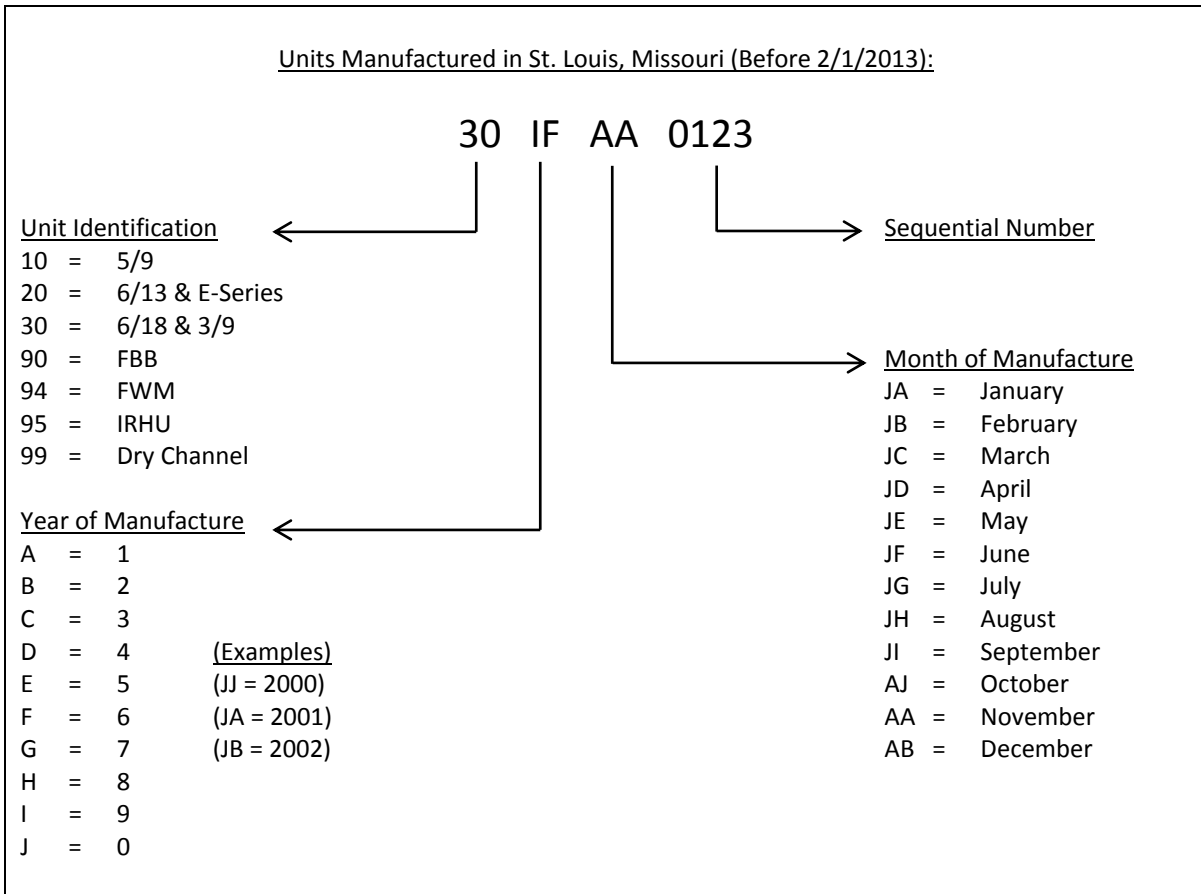
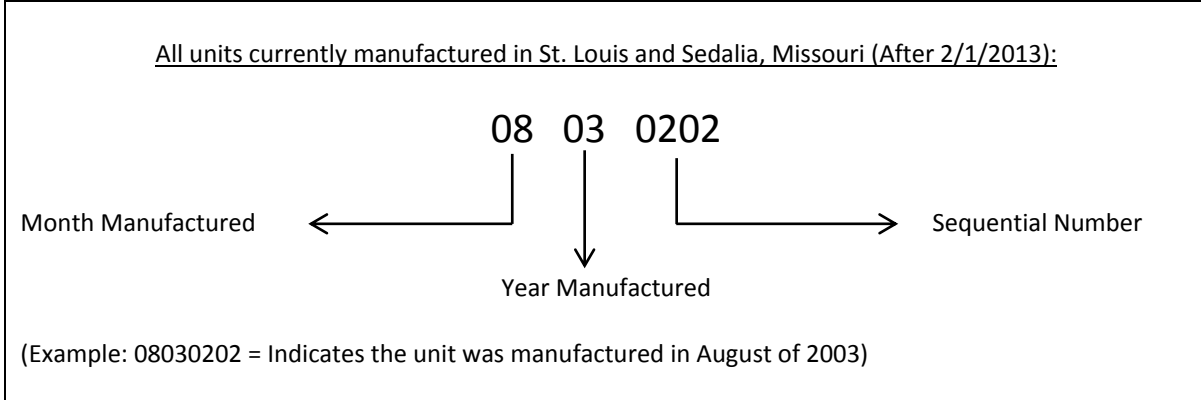
Duke Manufacturing Company

**2305 N. Broadway
St. Louis, MO 63102
Phone: 314-231-1130
Toll Free: 1-800-735-3853
Fax: 314-231-5074
www.dukemfg.com**

TABLE OF CONTENTS

| | |
|---|----|
| HOW TO DETERMINE MANUFACTURE DATE FROM DUKE SERIAL NUMBERS | 3 |
| FLEXIBLE BATCH BROILER – DOMESTIC VERSION COVERS, ACCESS PANELS AND PANS | 4 |
| FLEXIBLE BATCH BROILER – DOMESTIC VERSION BLOWER BOX & DUCT, BACK MOUNT, LP GAS | 6 |
| FLEXIBLE BATCH BROILER – DOMESTIC VERSION BLOWER BOX & DUCT, BASE MOUNT, LP GAS | 8 |
| FLEXIBLE BATCH BROILER REFURBISHMENT KITS | 10 |
| FLEXIBLE BATCH BROILER – DOMESTIC VERSION COMPONENTS - TOP, FRONT AND CONTROL SIDE | 12 |
| FLEXIBLE BATCH BROILER – DOMESTIC VERSION COMPONENTS - TOP, FRONT AND CONTROL SIDE (CONTINUED) | 14 |
| FLEXIBLE BATCH BROILER – DOMESTIC VERSION COMPONENTS - REAR AND DISCHARGE SIDE | 16 |
| FLEXIBLE BATCH BROILER – DOMESTIC VERSION STAND COMPONENTS | 18 |
| ELECTRICAL SCHEMATIC - FLEXIBLE BATCH BROILER | 20 |
| WIRE DIAGRAM - FLEXIBLE BATCH BROILER | 21 |

How to Determine Manufacture Date from Duke Equipment Serial Numbers



FLEXIBLE BATCH BROILER – DOMESTIC VERSION COVERS, ACCESS PANELS AND PANS

| Location | Part Number | Description | Quantity |
|-----------|-------------|---|----------|
| 1 | 175300K | Front Panel | 1 |
| Not Shown | 175048 | Kit, Splash Shields | 1 |
| 2 | 175444K | Loader | 1 |
| 3 | 175430K | Loader Tray | 1 |
| Not Shown | 176818 | Kit, Hot Dog Loader | 1 |
| 4 | 175878K | Weldment, Loader Mounting Bracket | 1 |
| 5 | 175429K | Door | 1 |
| 6 | 175741K | Loader Ramp | 1 |
| 7 | 600222 | Kit, Flame Arrestor | 1 |
| 8 | 175325K | "V" Grease Pan (120V Dom/Int, H/Alt) | 1 |
| | 176397K | "V" Grease Pan Center Air Flow, 16 Hole (120V Dom/Can, H/Alt) | 1 |
| 9 | 175329 | Main Grease Pan (120V Dom/Can, H/Alt) | 1 |
| | 176398K | Main Grease Pan, Center Air Flow (120V Dom/Can, H/Alt) | 1 |
| 10 | 175351 | Panel, Lower "J" Burner | 1 |
| 11 | 175200K | Weldment, Burner Shield | 1 |
| Not Shown | 600311 | Kit, Shield, Burner (.375 Shutter), Loader & Flame Arrestor | 1 |
| Not Shown | 600332 | Kit, Shield, Burner (Adjustable Shutter), Loader & Flame Arrestor | 1 |
| 12 | 176370 | Burner, Lower, Center Air Flow .375 Air Shutter (120V Dom/Can) | 1 |
| | 600313 | Kit, Burner, Lower, Adjustable (120V Dom, High Altitude) | 1 |
| | 175934 | Burner, Lower, 0.375 Air Shutter (120V International) | 1 |
| | 175950 | Kit, Burner, Lower Adjustable (120V International) | 1 |
| Not Shown | 600312 | Kit, Burner (.375 Shutter) & Flame Arrestor | 1 |
| Not Shown | 600333 | Kit, Burner (Adjustable Shutter) & Flame Arrestor | 1 |
| Not Shown | 600311 | Kit, Burner (.375 Shutter), Shield, Flame Arrestor & Spatula | 1 |
| Not Shown | 600332 | Kit, Burner (Adjustable), Shield, Flame Arrestor & Spatula | 1 |
| Not Shown | 600345 | Kit, Natural Gas, Lower Burner, H/ALT | 1 |
| 13 | 175177 | Motor Cover, Conveyor Drive Motor | 1 |
| 14 | 175392K | Panel, Right Side Upper Lift Off | 1 |
| 15 | 175383 | Panel, Access Electrical LWB | 1 |
| 16 | 175305 | Rear Access Panel | 1 |
| 17 | 156634 | Pan, Custom w/Handle | 1 |
| 18 | 175353K | Shelf, Product Holding Pan | 1 |
| 19 | 175778K | Discharge Hood | 1 |
| 20 | 175358K | Discharge Pan | 1 |
| 21 | 175357K | Side, Grease Pan | 1 |
| 22 | 175340 | Discharge Chute | 1 |
| Not Shown | 600330 | Kit, Bracket, Discharge, FBB | 1 |
| 23 | 175250K | Panel, Access Discharge | 1 |
| Not Shown | 600224 | Kit, Service, Discharge Chute Arm Pins | 1 |
| 24 | 175150K | Pivot Ash Scraper | 1 |
| 25 | 175226 | Impedance Pan (No Optional Catalyst) | 1 |
| Not Shown | 600406 | Air Brake, Single Pack (Natural Gas without Catalyst - Optional) | 1 |
| Not Shown | 600407 | Air Brake, Double Pack (Natural Gas without Catalyst - Optional) | 1 |
| Not Shown | 175480 | Catalyst, (Optional) | 1 |
| Not Shown | 175482 | Catalyst Guard, (Required with Catalyst) | 1 |
| Not Shown | 600277 | Kit, Catalyst Riser Assembly | 1 |
| Not Shown | 600278 | Kit, Catalyst with Riser | 1 |
| 26 | 175221 | Body Top | 1 |
| 27 | 175225K | Weldment, Upper Flue | 1 |
| Not Shown | 175838K | Weldment, Lower Flue | 1 |

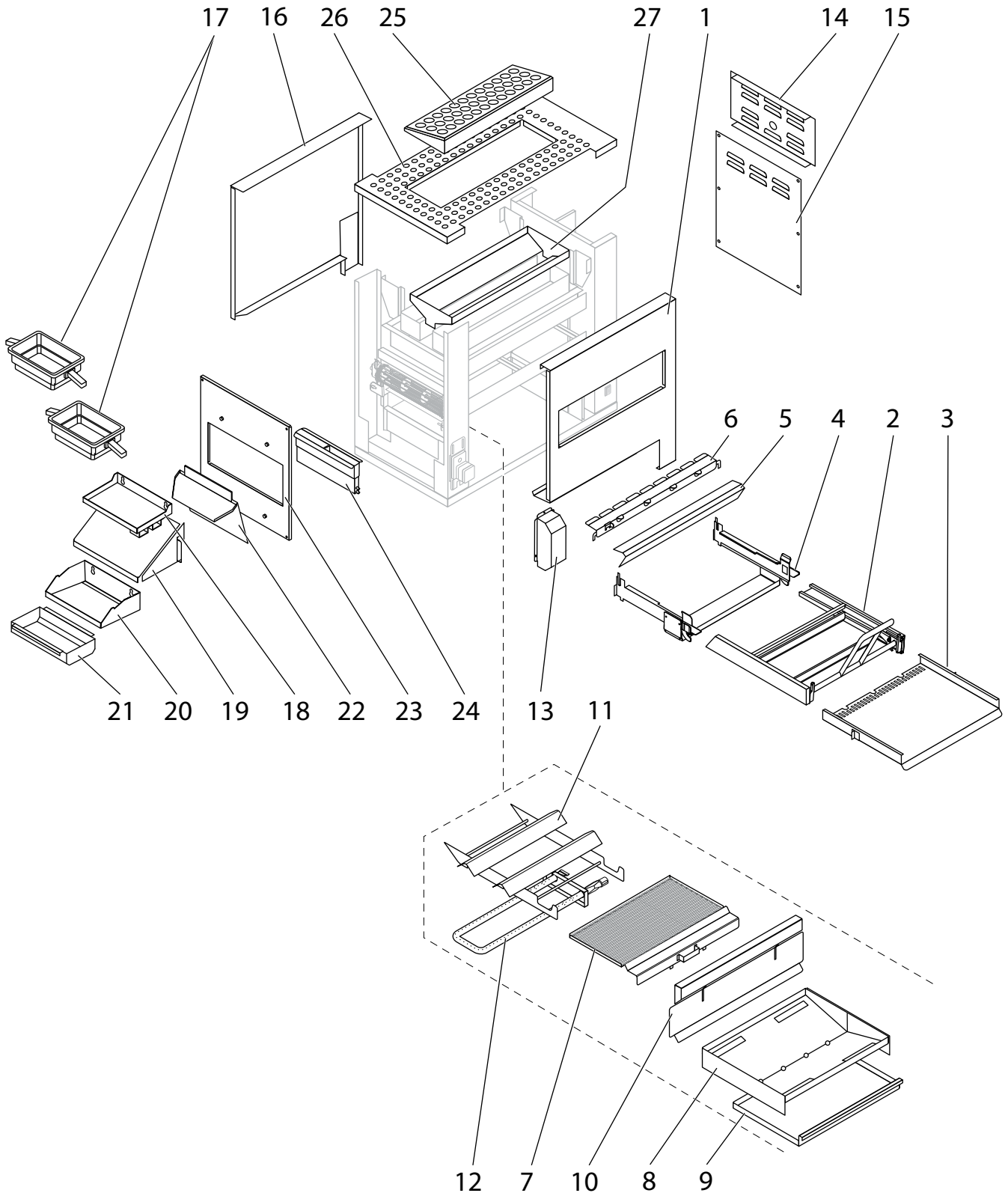


Figure: PL-1 Exploded View Components – FBB Covers, Access Panels and Pans

**FLEXIBLE BATCH BROILER – DOMESTIC VERSION
BLOWER BOX & DUCT, BACK MOUNT, LP GAS**

| Location | Part Number | Description | Quantity |
|-----------------|--------------------|---|-----------------|
| 28 | 176432 | Assembly, Blower Box & Duct, Back Mount | 1 |
| 29 | 176436 | Box, Blower, Back Mount | 1 |
| 30 | 176426 | PCB, Purge | 1 |
| 31 | 176428 | Power Cord, Assy 15A 125V 9' Long (Ref-175656) | 1 |
| 32 | 175515 | Strain Relief, Power Cord Includes Nut | 1 |
| 33 | 176425 | Harness, Purge PCB To Ignition Module | 1 |
| 34 | 176424 | Harness, Purge Cord Blower & Outlet | 1 |
| 35 | 156951 | Spacer, 5/16Od x 3/8Lg Alum. | 4 |
| 36 | 154219 | Nut, Keps 6-32 Hex ZP | 6 |
| 37 | 176434 | Assy, Duct Back | 1 |
| 38 | 176431 | Blower, Assy Terminated | 1 |
| 39 | 176437 | Cover,Blower Box Back 26.87 x 48.75 20GA SS 430=5 | 1 |
| 40 | 10280400 | Screw, 10-24 x 3/8" Tr Ph SS Machine | 6 |
| 41 | 653637 | Nut, 1/4-20 Flanged Zinc Plated Hex | 3 |

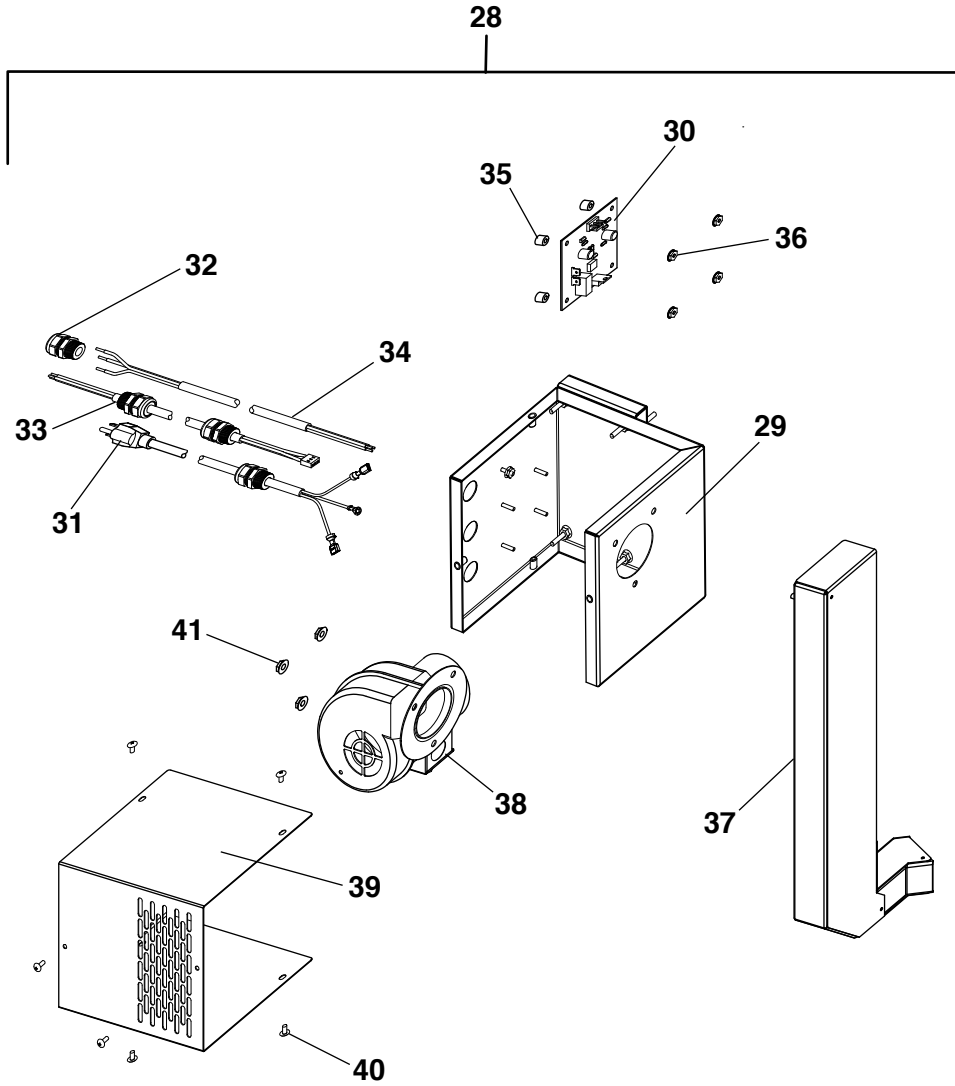


Figure: PL-2 Exploded View Components – Blower Box & Duct, Back Mount, LP Gas

**FLEXIBLE BATCH BROILER – DOMESTIC VERSION
BLOWER BOX & DUCT, BASE MOUNT, LP GAS**

| Location | Part Number | Description | Quantity |
|-----------------|--------------------|--|-----------------|
| 42 | 176447 | Assembly, Blower Box & Duct, Base Mount | 1 |
| 43 | 176451 | Box, Blower, Base Mount | 1 |
| 44 | 176428 | Power Cord, Assy 15A 125V 9' Long (Ref-175656) | 1 |
| 45 | 175515 | Strain Relief, Power Cord Includes Nut | 1 |
| 46 | 176425 | Harness, Purge PCB To Ignition Module | 1 |
| 47 | 176424 | Harness, Purge Cord Blower & Outlet | 1 |
| 48 | 156951 | Spacer, 5/16Od x 3/8Lg Alum. | 4 |
| 49 | 154219 | Nut, Keps 6-32 Hex ZP | 6 |
| 50 | 176449 | Assy, Lower Duct Base | 1 |
| 51 | 176450 | Assy, Upper Duct Base | 1 |
| 52 | 176452 | Cover, Blower Box Base 30.0 x 55.375 20GA SS 430=5 | 1 |
| 53 | 176431 | Blower, Assy Terminated | 1 |
| 54 | 653637 | Nut, 1/4-20 Flanged Zinc Plated Hex | 3 |
| 55 | 10280400 | Screw, 10-24 x 3/8" Tr PH SS Machine | 6 |
| 56 | 176426 | PCB, Purge | 1 |

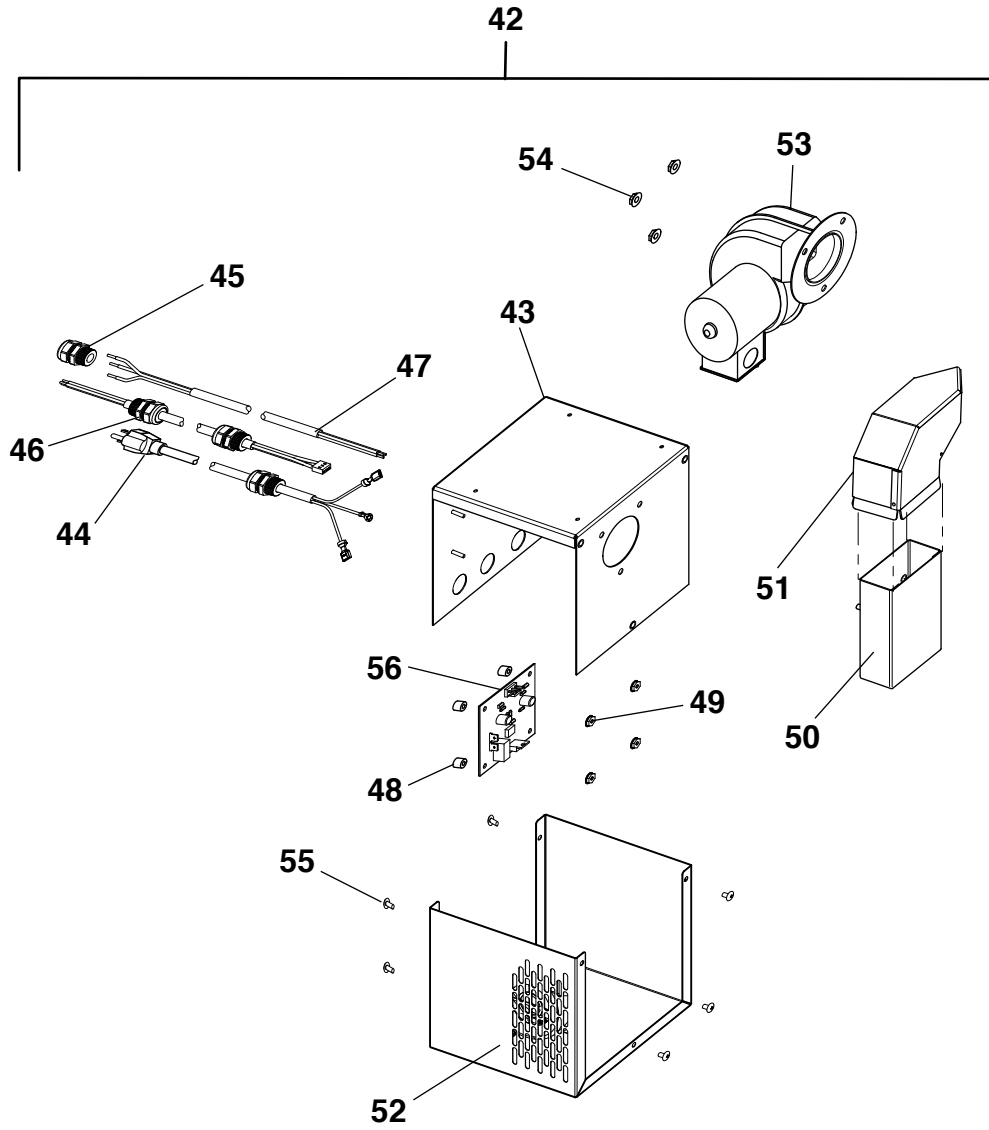
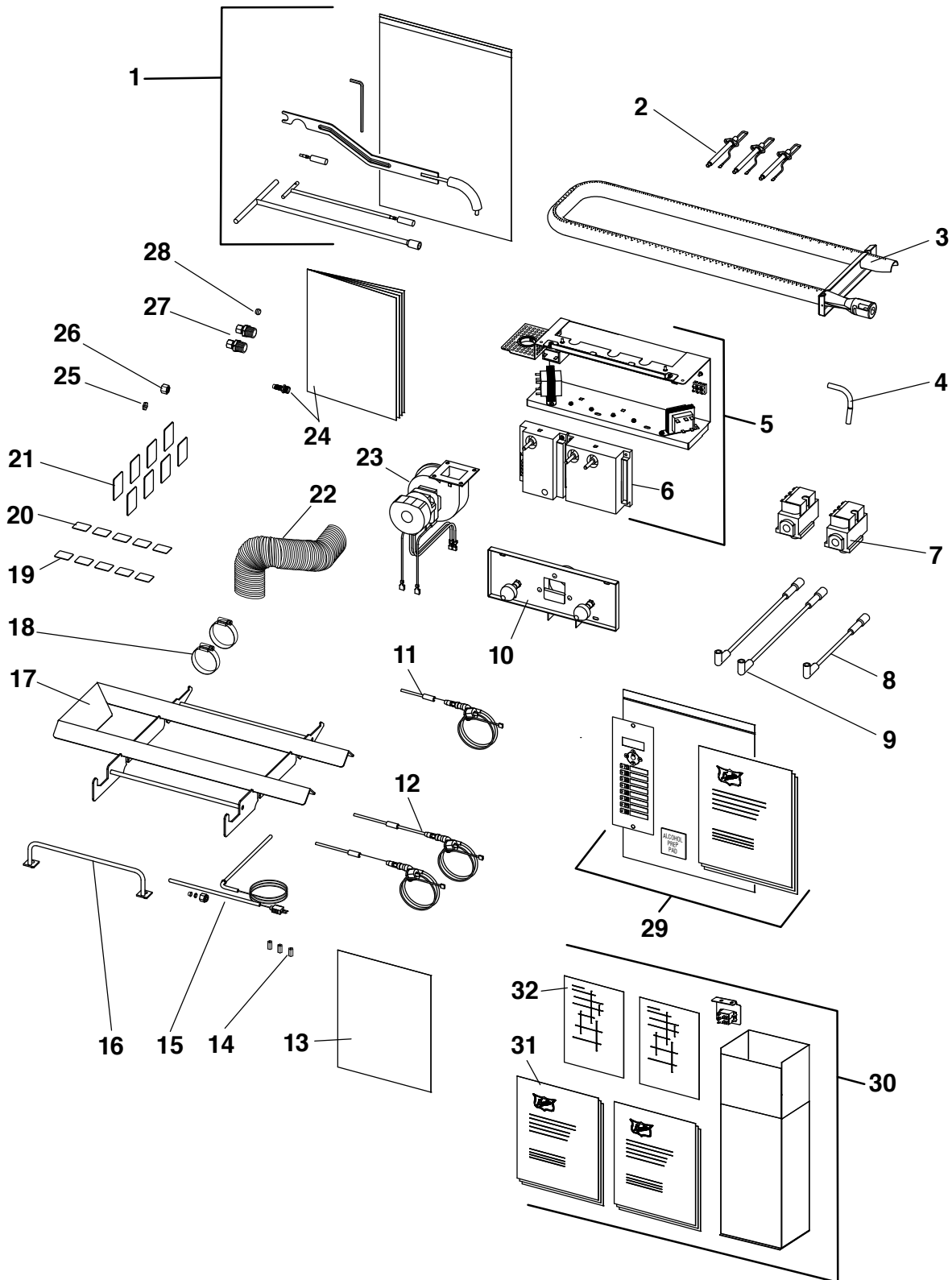


Figure: PL-3 Exploded View Components – Blower Box & Duct, Base Mount, LP Gas

**FLEXIBLE BATCH BROILER REFURBISHMENT KITS:
176838 – Natural Gas Models
176841 – LP Gas Models**

| Location | Part No. | Description | Quantity | |
|-----------|----------|---|----------|--------|
| | | | 176838 | 176841 |
| 1 | 175700 | KIT, CLEANING & INSTALL TOOLS | 1 | |
| 2 | 175536 | IGNITOR SPARK PSE-DK4 | | 3 |
| 3 | 176370 | BURNER, LOWER, CENTER AIR FLOW 0.375" AIR SHUTTER SETTING | 1 | |
| 4 | 175478 | TUBE, LOWER BURNER TO VALVE | 1 | |
| 5 | 175391 | ASSEMBLY, ELECTRIC COMPONENT SHELF | 1 | |
| 6 | 175868 | ASSEMBLY, IGNITION MODULE, NATURAL GAS | 1 | |
| | 175872 | ASSEMBLY, IGNITION MODULE, LP GAS, W/ LABEL | | 1 |
| 7 | 175531 | VALVE, NATURAL GAS COMBO, 24 VAC 0.6A 50/60 HZ | 2 | |
| | 175766 | VALVE, LP GAS COMBO | | 2 |
| 8 | 175538 | IGNITION SUPPRESSION CABLE, LOWER IGNITION MODULE | 1 | |
| 9 | 175537 | IGNITION SUPPRESSION CABLE, UPPER IGNITION MODULE | 2 | |
| 10 | 175108 | ASSEMBLY, COVER, BLOWER BOX, W/PLUNGER | 1 | |
| 11 | 175534 | SENSOR, LOWER BURNER | 1 | |
| 12 | 175535 | SENSOR, IR BURNER | 2 | |
| 13 | 529091 | INSTRUCTIONS, REFURBISHMENT KIT, FBB-N0-120 & FBB-P0-120 | 1 | |
| 14 | 175682 | NUT, COUPLING, 8-32 X 5/8" x 5/16" WIDTH | 3 | |
| 15 | 175977K | KIT, TEMPERATURE PROBE | 1 | |
| 16 | 175095K | WELDMENT, IGNITOR GUARD | 1 | |
| 17 | 175200K | WELDMENT, BURNER SHIELD | 1 | |
| 18 | 175549 | HOSE CLAMP | 2 | |
| 19 | 175361 | CONVEYOR SHIM 18 GAUGE | 5 | |
| 20 | 175360 | CONVEYOR SHIM 20 GAUGE | 5 | |
| 21 | 175727 | CONVEYOR SHIM 16 GAUGE | 8 | |
| 22 | 175189 | HOSE, BLOWER 14" | 1 | |
| 23 | 600249K | KIT, DOMESTIC BLOWER & GASKET | 1 | |
| 24 | 600290 | KIT, LOWER ORIFICE HOLDER REPLACEMENT | 1 | |
| 25 | 175546 | JAM NUT, ORIFICE HOLDER, LOWER BURNER | 1 | |
| 26 | 175548 | NUT, 3/8 COMPRESSION FITTING | 1 | |
| 27 | 175540 | BRASS FITTING, GAS VALVE TO BURNER SUPPLY TUBE | 2 | |
| 28 | 175547 | SLEEVE, 3/8 COMPRESSION FITTING | 1 | |
| 29 | 176039 | KIT, MYLAR REPLACEMENT | 1 | |
| 30 | 600286 | KIT, BLOWER UPGRADE COMPONENTS | 1 | |
| 31 | 176189 | INSTRUCTIONS, 120V BLOWER MOTOR & SWITCH REPLACEMENT | 1 | |
| 32 | 175611 | WIRING SCHEMATIC, DOMESTIC, 120V FBB | 1 | |
| | 176430 | WIRING SCHEMATIC, DOMESTIC, 120V FBB W/PURGE | | 1 |
| Not Shown | 281310 | SCREW, 10-24 x 1-1/4" TR SL SS MACHINE | 2 | |
| Not Shown | 175587 | SCREW, 10-24 x 3/8" IHXW SL SS MACHINE | 4 | |
| Not Shown | 213041 | NUT, 10-24 SERRATED ZINC | 4 | |
| Not Shown | 213042 | NUT, 1/4-20 SERRATED ZINC | 2 | |
| Not Shown | 297000 | SEALANT, SILICONE ALUMINUM NSF | 1 | |

**FLEXIBLE BATCH BROILER REFURBISHMENT KITS:
176838 – Natural Gas Models
176841 – LP Gas Models**



FLEXIBLE BATCH BROILER – DOMESTIC VERSION COMPONENTS - TOP, FRONT AND CONTROL SIDE

| Location | Part Number | Description | Quantity | |
|-----------|-------------|---|--|---|
| | 59 | 175066 | Burner, Mounting Bracket | 2 |
| | 60 | 175780 | Kit, Spare Part, IR Burner | 2 |
| | 61 | 175867K | Conveyor Drive Motor & Label, 115V | 1 |
| | 62 | 175176 | Mounting Bracket, Conveyor Drive Motor | 1 |
| | 63 | 175517 | Sprocket, B21 × 3/8 Motor | 1 |
| | 64 | 175550 | Light, Cook | 1 |
| | 65 | 175503 | Switch, Main Power | 1 |
| | 66 | 175536 | Igniter | 3 |
| Not Shown | 175095K | Weldment, Igniter Guard | 1 | |
| | 67 | 175086 | Shaft Plate, Right Side | 2 |
| | 68 | 175525 | Bushing Block, Conveyor | 4 |
| | 69 | 175038 | Conveyor Shaft, Right Side | 1 |
| | 70 | 175356 | Frame, Control Board Mounting Bezel | 1 |
| | 71 | 175873K | Assembly, Control/Label | 1 |
| | | 176480 | Assembly, Control/Label, Lower Burner Upgrade | 1 |
| | 72 | 175510 | Gasket, Control Bezel | 1 |
| | 73 | 175538 | Ignition Suppression Cable, Lower Ignition Module | 1 |
| | 74 | 175507 | Capacitor, Motor, Conveyor | 1 |
| | 75 | 175868 | Assembly, Ignition Module/Label, Natural Gas | 1 |
| | | 175872 | Assembly, Ignition Module/Label, Propane Gas | 1 |
| | 76 | 175869K | Ignition Module & Label, IR Burners | 1 |
| | 77 | 175516 | Transformer, 40VA, 120VAC 24VAC | 2 |
| | 78 | 175870K | Relay, Solid State w/Label | 2 |
| | 79 | 175537 | Ignition Suppression Cable, Upper Ignition Module | 2 |
| | 80 | 175553 | Connect Block, 3 Wire | 1 |
| | 81 | 175531 | Valve, Natural Gas Combo 120VAC (Natural Gas Only) | 1 |
| | | 175766 | Valve, LP-Gas Combo 120VAC (LP Gas Only) | 1 |
| Not Shown | 175612 | Kit, Propane Gas Conversion, 120V International | 1 | |
| Not Shown | 175613 | Kit, Natural Gas Conversion, 120V International | 1 | |
| Not Shown | 176538 | Kit, Natural Gas Conversion, Us & Canada | 1 | |
| Not Shown | 176543 | Kit, Propane Gas Conversion, US & Canada Standard Stand | 1 | |
| Not Shown | 176571 | Kit, Propane Gas Conversion, US & Canada Large Stand | 1 | |
| | 82 | 175540 | Brass Fitting Gas Valve to Burner Supply Tube | 2 |
| | 83 | 600290 | Kit, Lower Orifice Holder Replacement | 1 |
| | 84 | 175823 | Orifice, Lower Burner, #31 (Nat Gas, 120V/230V Int, H/Alt) | 1 |
| | | 175737 | Orifice, Lower Burner, #49 (Propane, 120V Dom/Int, H/Alt) | 1 |
| | | 176404 | Orifice, Lower Burner, #30 (Nat Gas, 120V Dom/Can, H/Alt) | 1 |
| | | 176412 | Orifice, Lower Burner, #46 (Propane, 120V Dom/Can, H/Alt) | 1 |
| Not Shown | 176514 | Kit, Natural & Propane Gas Orifices, High Altitude | 1 | |
| | 85 | 175511 | Gasket, Blower Inlet | 1 |
| | 86 | 600249K | Kit, Domestic Blower & Gasket | 1 |

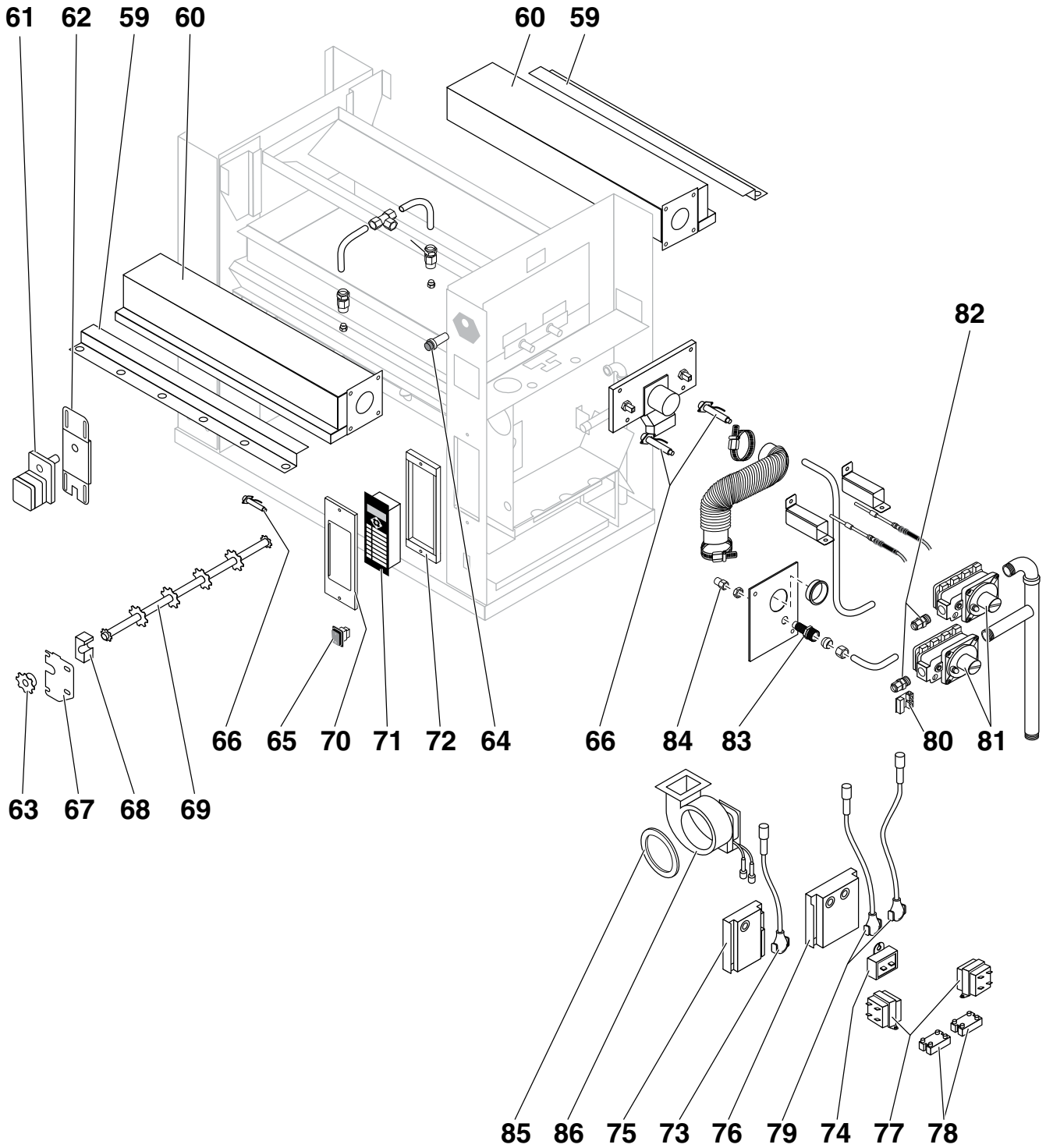


Figure: PL-4 Exploded View Components – Top, Front and Control Side

FLEXIBLE BATCH BROILER – DOMESTIC VERSION COMPONENTS - TOP, FRONT AND CONTROL SIDE (CONTINUED)

| Location | Part Number | Description | Quantity |
|-----------|-------------|--|----------|
| 87 | 175380 | Shield Ignition Cable | 2 |
| 88 | 175477 | Tube, IR to Valve | 1 |
| 89 | 175535 | Sensor, IR Burner | 2 |
| 90 | 175549 | Hose Clamp | 2 |
| Not Shown | 175197 | High Temperature Tape | 2 |
| 91 | 175189 | Hose, Blower 14" | 1 |
| 92 | 175108 | Assembly, Cover, Blower Box, W/Plungers | 1 |
| 93 | 175476 | Tube, Tee to IR | 2 |
| 94 | 175541 | Tee, Compression Fitting | 1 |
| 95 | 175542 | Orifice Holder, IR Burner | 2 |
| 96 | 175735 | Orifice, IR Burner #40 (Nat. Gas, 120V Dom/Int, H/Alt) | 1 |
| | 175767 | Orifice, IR Burner #52 (Propane, 120V Dom/Int, H/Alt) | 1 |
| 97 | 175736 | Orifice, IR Burner #36 (Nat. Gas, 120V Dom/Int, H/Alt) | 1 |
| | 175768 | Orifice, IR Burner #51 (Propane, 120V Dom/Int, H/Alt) | 1 |
| Not Shown | 176514 | Kit, Natural & Propane Gas Orifices, High Altitude | 1 |
| 98 | 175478 | Tube, Lower Burner to Valve | 1 |
| | 175547 | Sleeve, 3/8" Compression Fitting | 1 |
| | 175548 | Nut, 3/8" Compression Fitting | 1 |
| 99 | 175514 | Bushing, Heyco, Shorty 1" | 1 |
| 100 | 175376 | Plate, Orifice Holder | 1 |
| 101 | 175546 | Jam Nut, Orifice Holder, Lower Burner | 2 |
| 102 | 175571 | Piping, Gas Manifold | 1 |
| Not Shown | 176428 | Power Cord Assy, 15A, 125V, 9' Long (Ref - 175656) | 1 |
| Not Shown | 175607 | Harness, Wire, Low Voltage | 1 |
| Not Shown | 175608 | Harness, Wire, Line Voltage | 1 |
| Not Shown | 175609 | Harness, Wire, Conveyor Motor | 1 |
| Not Shown | 175610 | Harness, Wire, Ground | 1 |
| Not Shown | 175479 | Harness, Test Cord Flame Sense BK Broiler | 1 |
| Not Shown | 176570 | Instructions, BK Flame Sensor Test Harness (175479) | 1 |
| Not Shown | 175261 | Kit, Full PM - Propane, 120V | 1 |
| Not Shown | 600342 | Kit, Full PM - Propane 120V (Non-US/Canada) | 1 |
| Not Shown | 175262 | Kit, Full PM - Natural Gas, 120V | 1 |
| Not Shown | 600341 | Kit, Full PM - Natural Gas, 120V (Non-US/Canada) | 1 |
| Not Shown | 176366 | Kit, Full PM - Natural Gas, 120V High Altitude | 1 |
| Not Shown | 176367 | Kit, Full PM - Propane, 120V High Altitude | 1 |

Illustrated Parts List for Flexible Batch Broiler *Domestic Version*

| | | | |
|-----------|--------|--|---|
| Not Shown | 600298 | Kit, Mini PM - Propane, 120V | 1 |
| Not Shown | 600308 | Kit, Mini PM - Propane, 120V High Altitude | 1 |
| Not Shown | 600299 | Kit, Mini PM - Natural Gas, 120V | 1 |
| Not Shown | 600307 | Kit, Mini PM - Natural Gas, 120V High Altitude | 1 |

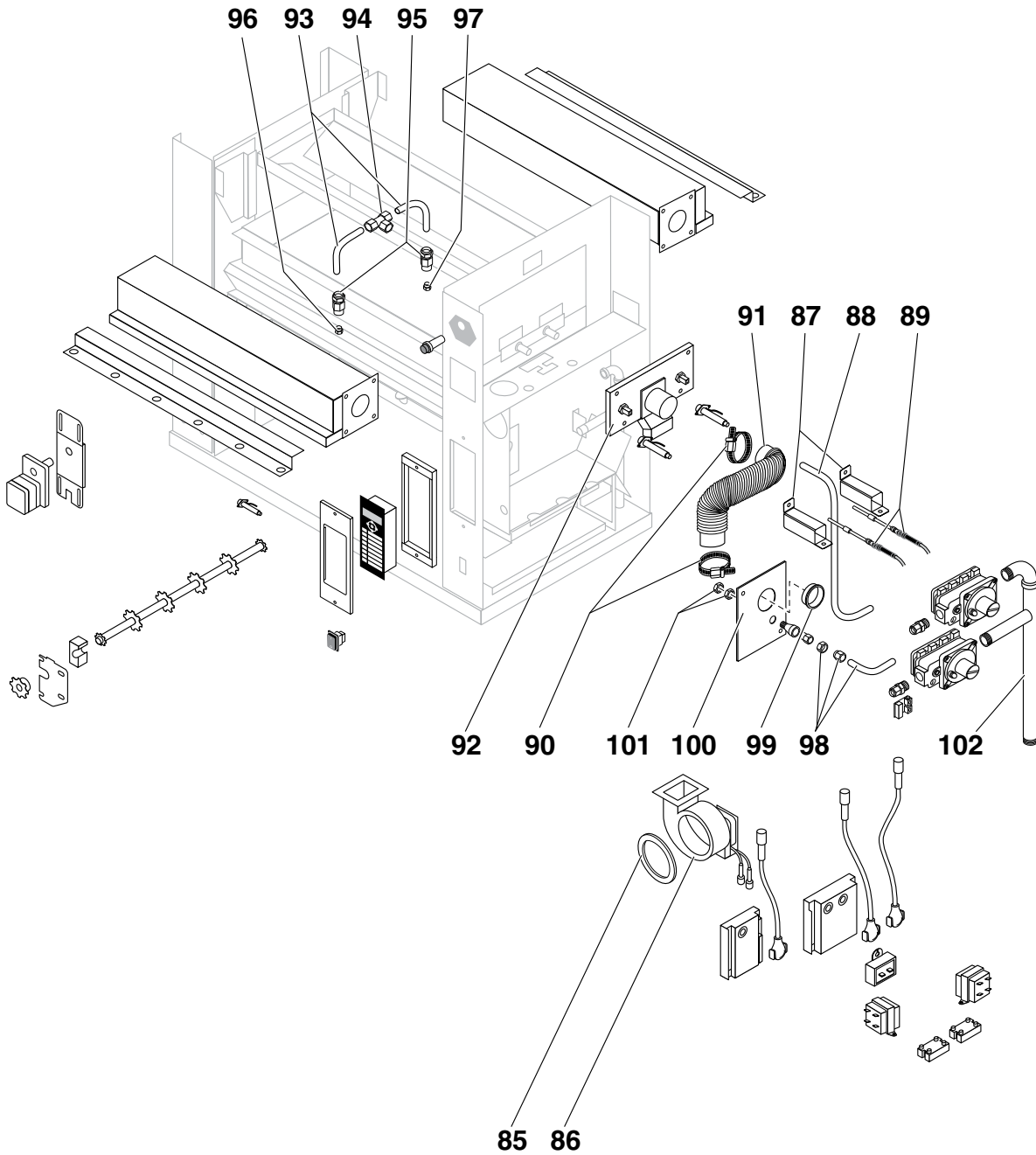


Figure: PL-5 Exploded View Components – Top, Front and Electrical Control Side

**FLEXIBLE BATCH BROILER – DOMESTIC VERSION
COMPONENTS - REAR AND DISCHARGE SIDE**

| Location | Part Number | Description | Quantity |
|-----------------|--------------------|---------------------------|-----------------|
| 67 | 175086 | Shaft Plate, Right Side | 2 |
| 68 | 175525 | Bushing Block, Conveyor | 4 |
| 103 | 175534 | Sensor, Lower Burner | 1 |
| 104 | 175977K | Kit, Temperature Probe | 1 |
| 105 | 175515 | Strain Relief, Power Cord | 1 |
| 106 | 175022 | Clip, Front Bushing | 2 |
| 107 | 175037K | Shaft, Discharge Side | 1 |
| 108 | 175551 | Chain, Drive | 1 |
| 109 | 175674 | Chain, Cook Conveyor | 1 |

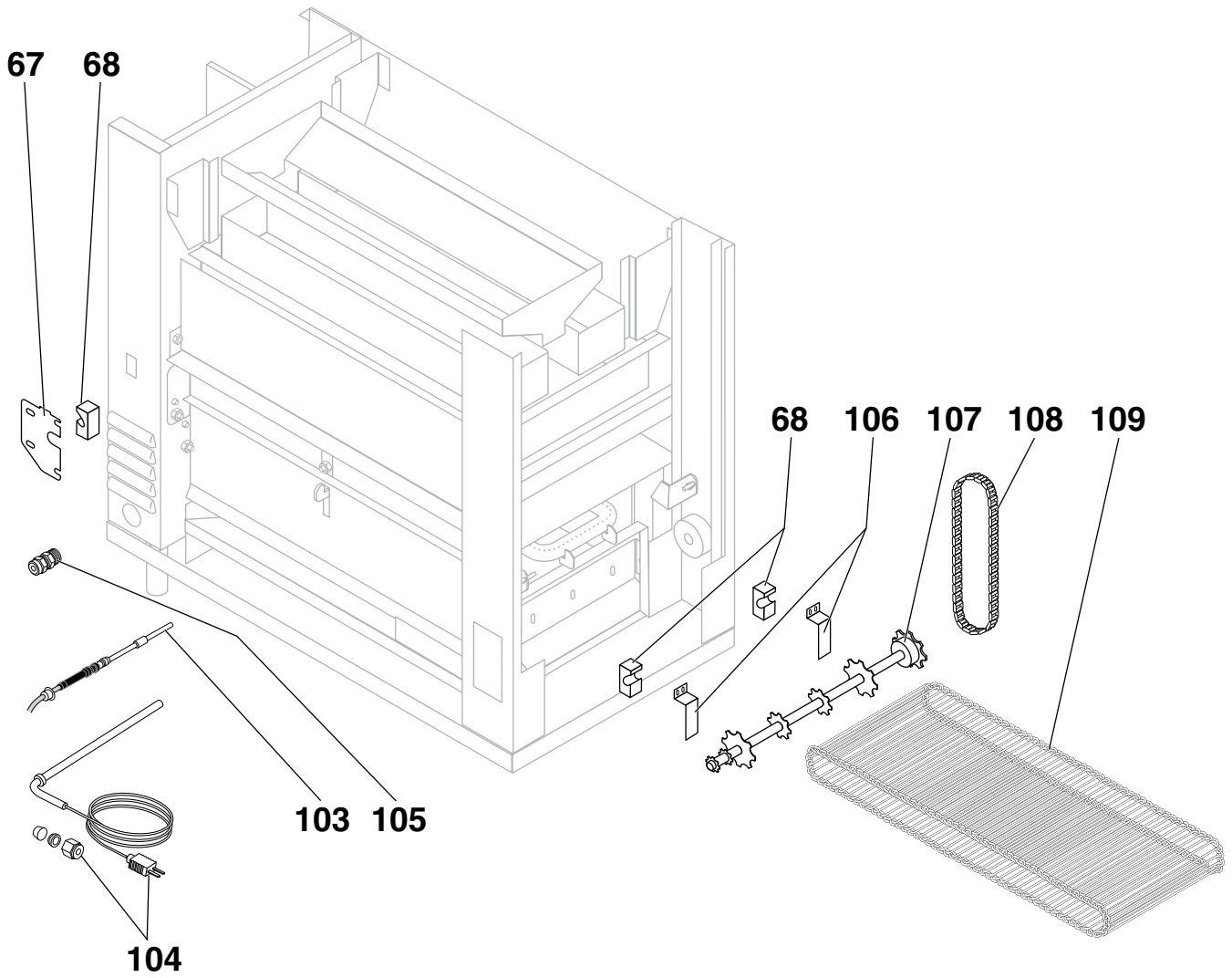


Figure: PL-6 Exploded View Components – Rear and Discharge Side

FLEXIBLE BATCH BROILER – DOMESTIC VERSION STAND COMPONENTS

| Location | Part Number | Description | Quantity |
|-----------|-------------|--|----------|
| 110 | 175999 | Weldment, Broiler Stand | 1 |
| 111 | 175462PC | Assembly, Leg Extension w/Brake | 2 |
| 112 | 175463PC | Assembly, Leg Extension w/o Brake | 2 |
| 113 | 175961PC | Weldment, Top Broiler Stand | 1 |
| 114 | 175748 | Weldment, Sanitizer Bracket | 1 |
| 115 | 175468 | Screw, 5/16-18 x 3/4 BT SKT S | 8 |
| 116 | 175459 | Saddle, U-Bolt | 2 |
| 117 | 175565 | U-Bolt, 1/4-20 x 1-1/4" Long Thread | 2 |
| 118 | 0220750SED | Nut, 1/4-20 Acorn SS | 4 |
| 119 | 175570 | Piping, Gas Supply | 1 |
| 120 | 213028 | Screw, 10-24 x 3/8" PTHMS S/S | 2 |
| 121 | 175722PC | Kit, Nylon Rivet | 1 |
| 122 | 175701 | Assy, Flame Rod Tube Cleaner (includes 175705 Brush) | 1 |
| 123 | 175705 | Brush, Flame Rod Tube Cleaner | 1 |
| 124 | 175485 | Assembly, Tool Cleaning | 1 |
| 125 | 175842 | Sanitation Pail | 1 |
| Not Shown | 175689 | Kit, Hi Service Pressure | 1 |
| Not Shown | 175690 | Kit, Gas Connector Assembly | 1 |

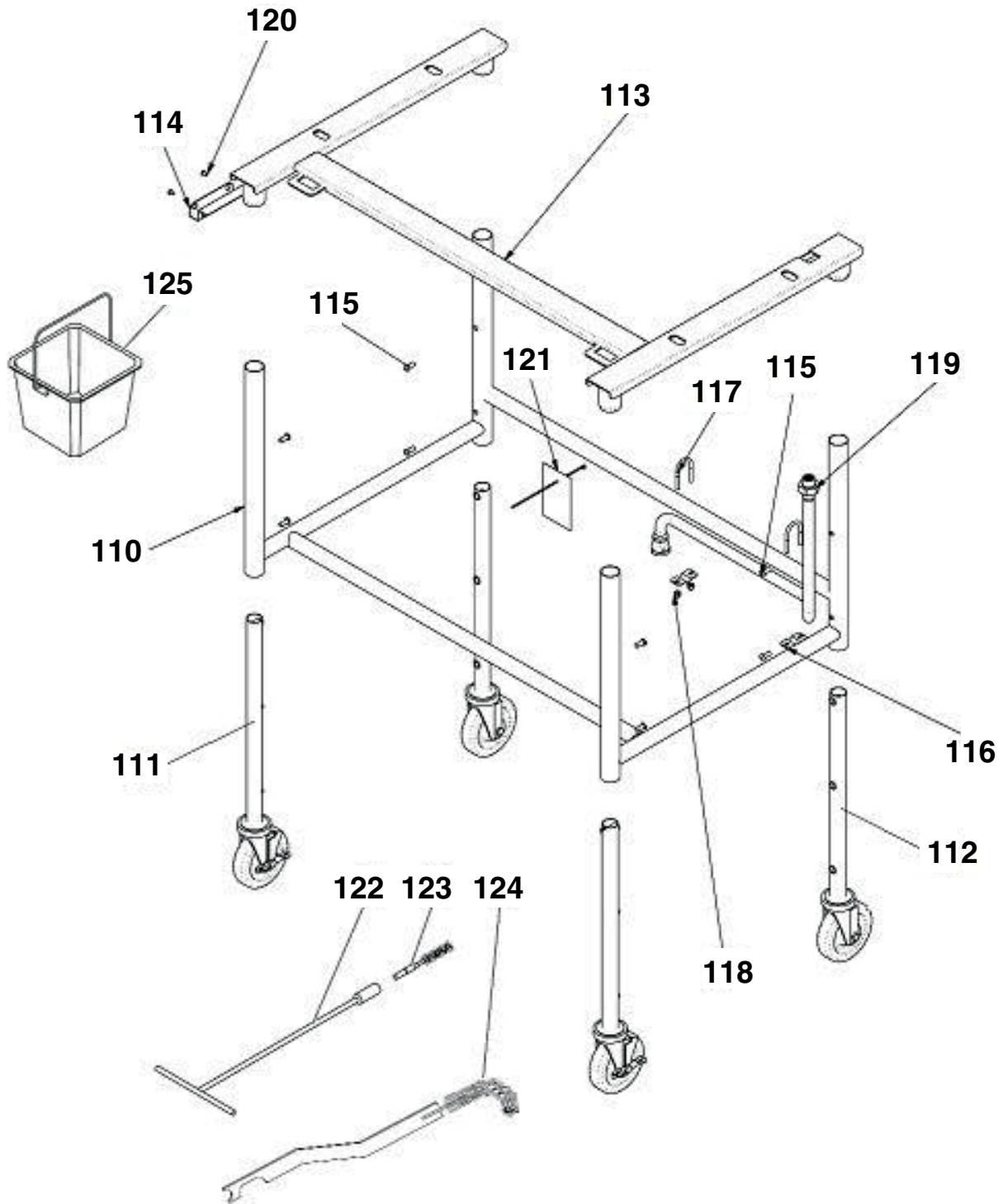
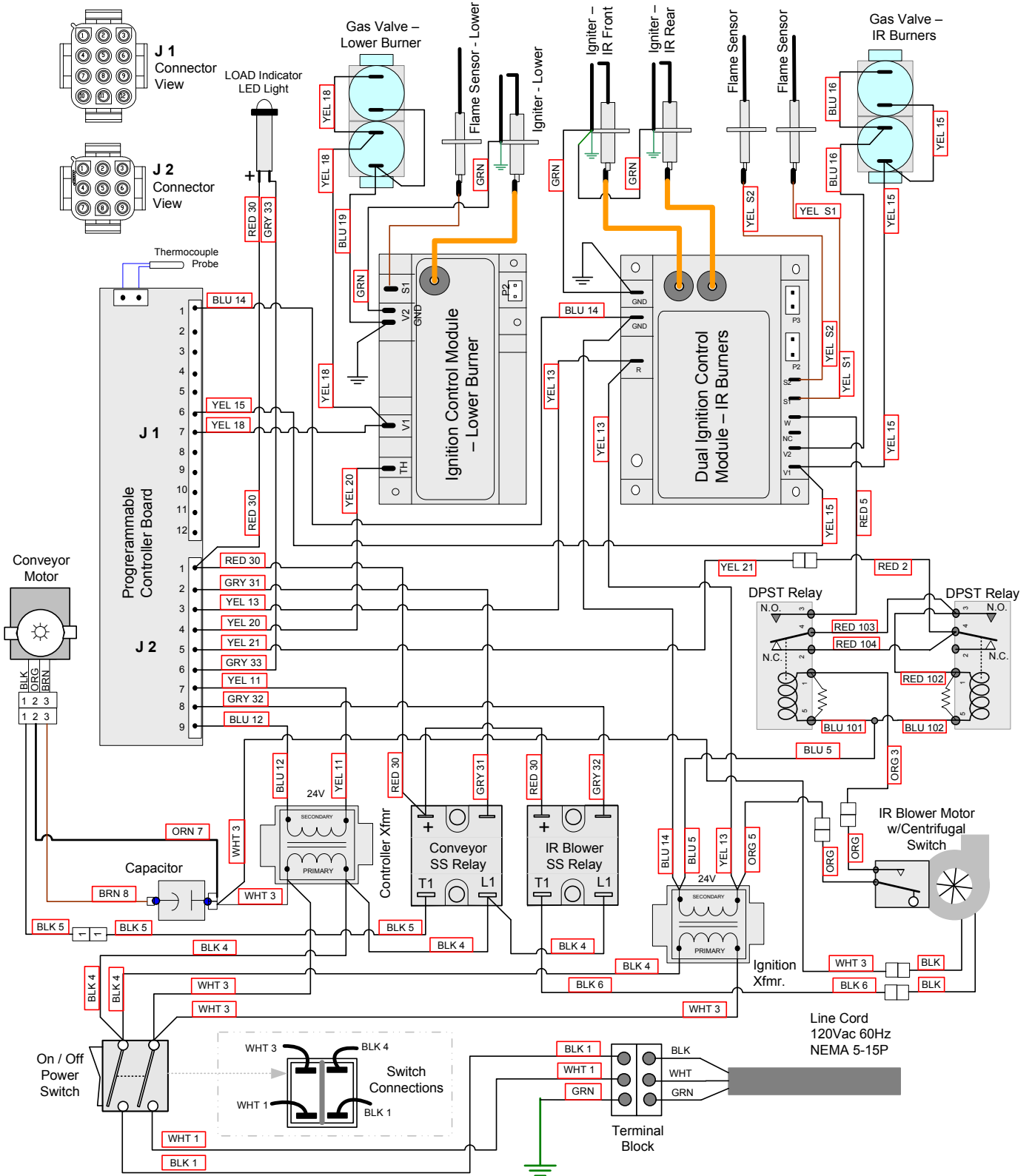


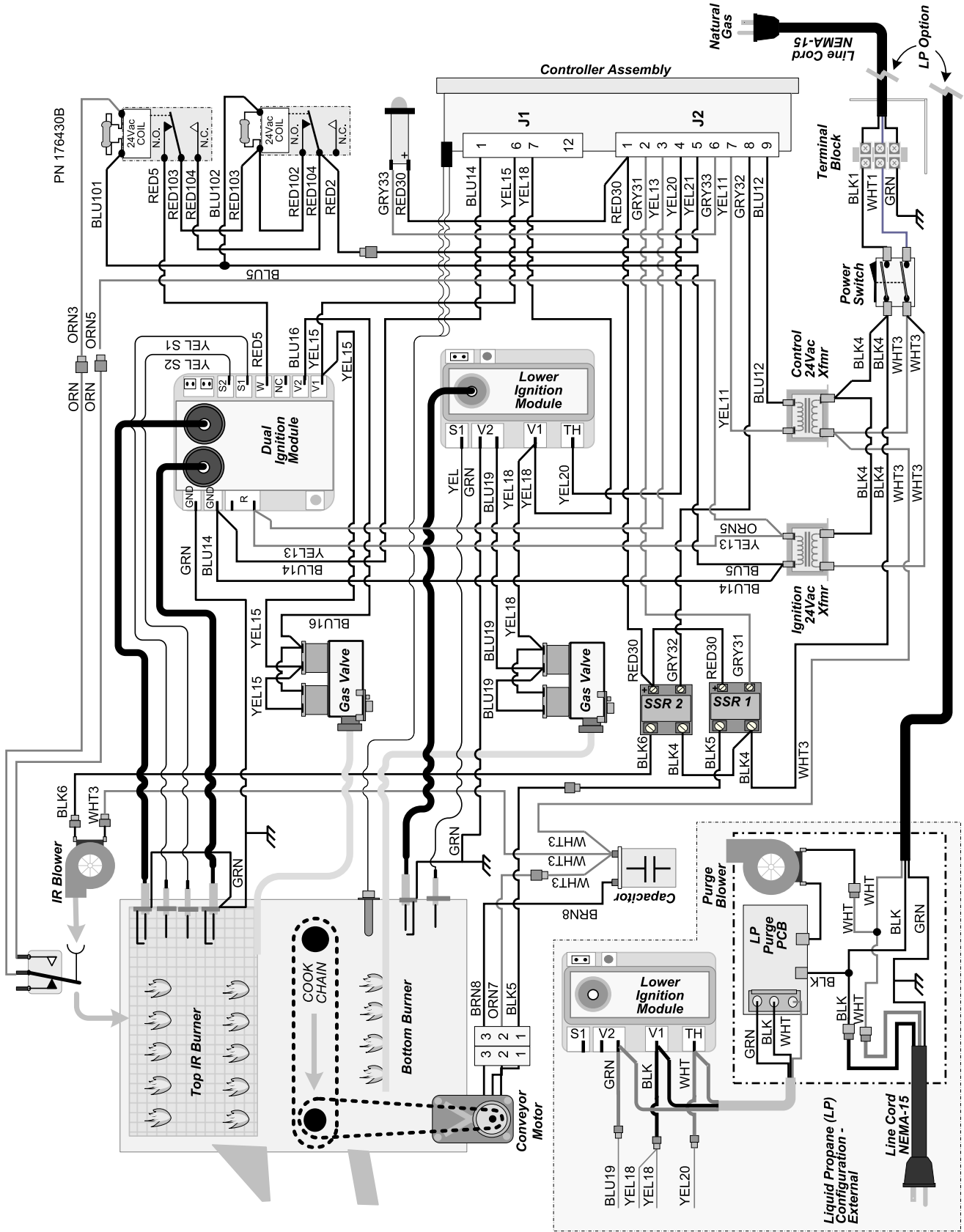
Figure: PL-7 Exploded View Components – Stand Components

ELECTRICAL SCHEMATIC - FLEXIBLE BATCH BROILER

DUKE MFG. PN 175611 Rev. E



WIRE DIAGRAM - FLEXIBLE BATCH BROILER





Your Solutions Partner

Duke Manufacturing Co.

2305 N. Broadway • St. Louis, MO 63102

800-735-3853 • 314-231-1130

Fax: 314-231-5074

www.dukemfg.com