



Your Solutions Partner

Flexible Batch Broiler CE Version

MODELS:

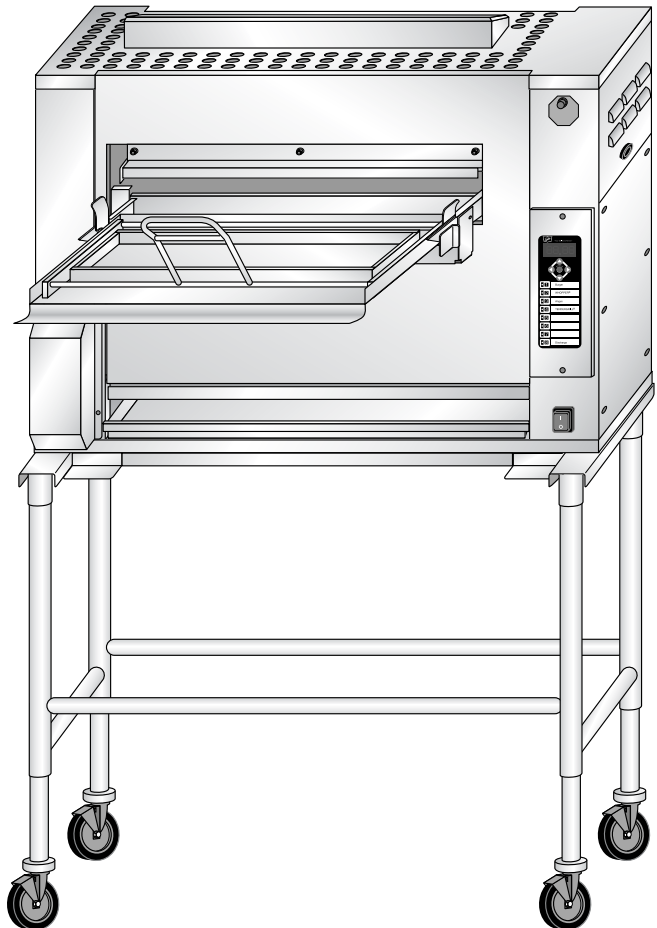
FBB-10-230 FBB-1C-230

FBB-20-230 FBB-2C-230

FBB-30-230 FBB-3C-230

FBB-50-230 FBB-5C-230

Illustrated Parts List



*This manual is Copyright © 2018 Duke Manufacturing Company. All rights reserved.
Reproduction without written permission is prohibited. Duke is a registered
trademark of the Duke Manufacturing Company.*

Duke Manufacturing Company

**2305 N. Broadway
St. Louis, MO 63102
Phone: 314-231-1130
Toll Free: 800-735-3853
Fax: 314-231-5074
www.dukemfg.com**

How to Determine Manufacture Date from Duke Equipment Serial Numbers

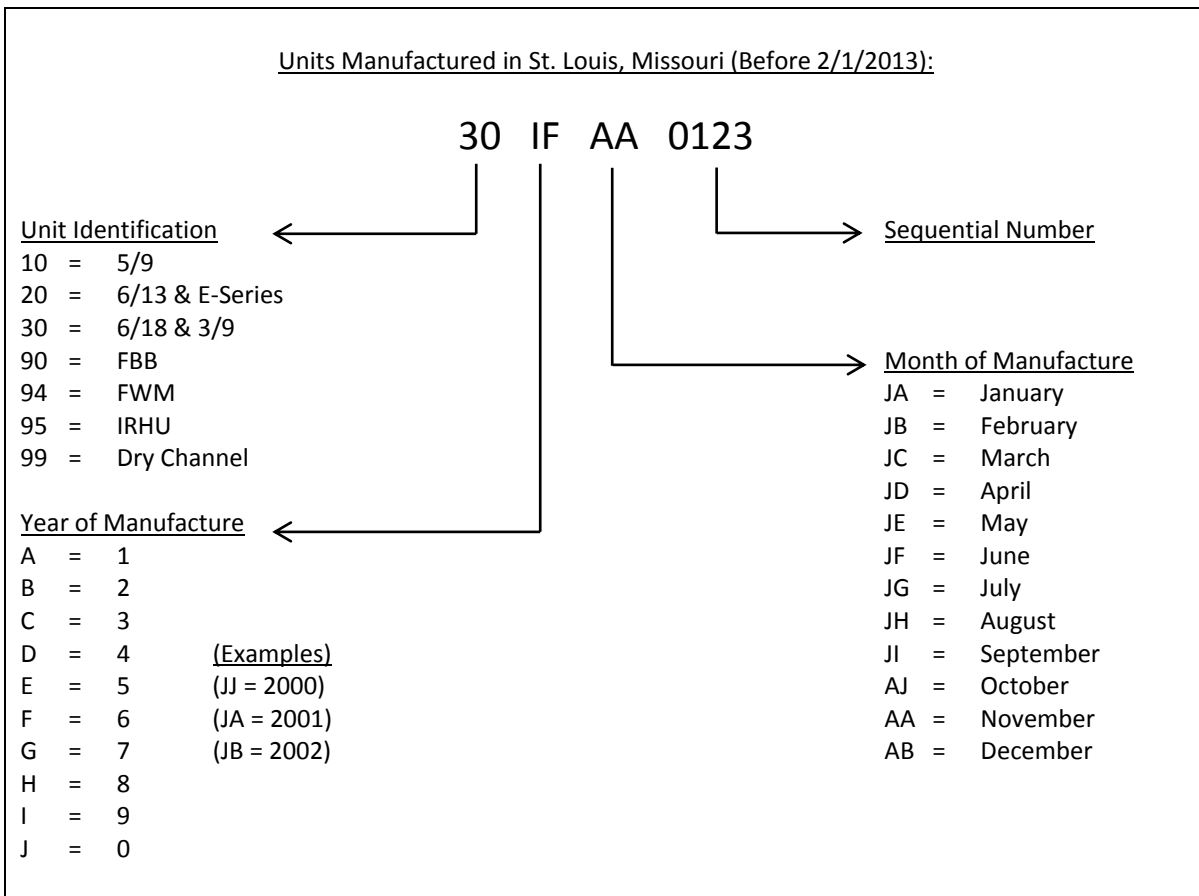
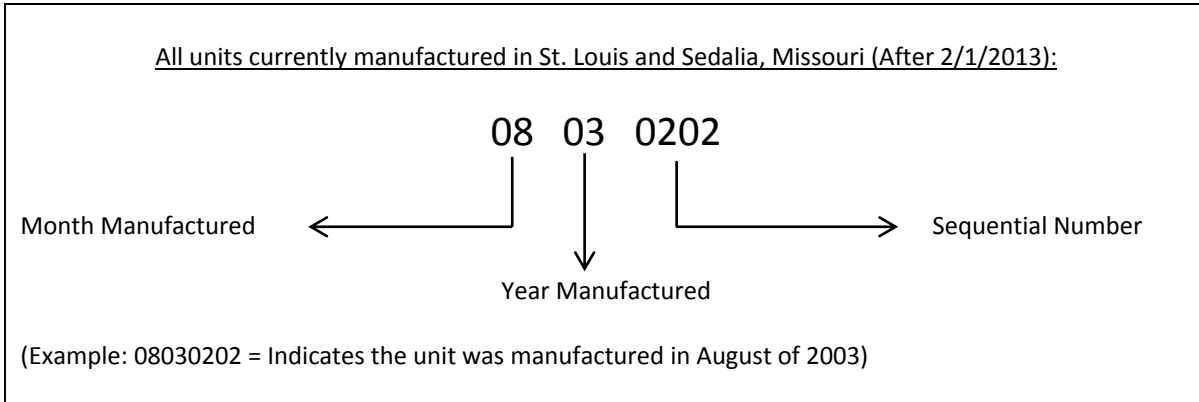


TABLE OF CONTENTS

COVERS, ACCESS PANELS AND PANS	4
TOP, FRONT AND CONTROL SIDE COMPONENTS	6
REAR AND DISCHARGE SIDE COMPONENTS	10
STAND COMPONENTS.....	12
ELECTRICAL SCHEMATIC.....	14

COVERS, ACCESS PANELS AND PANS

Location	Part Number	Description	Quantity
1	175300K	Front Panel	1
2	175444K	Loader	1
	176830	Loader, India, Chicken	1
3	175430K	Loader Tray	1
4	175878	Weldment, Loader Mounting Bracket	1
5	175429K	Weldment, Hinged Door	1
6	175741K	Weldment, Loader Ramp	1
7	600222	Kit, Flame Arrestor	1
8	175325K	"V" Grease Pan	1
	176834	"V" Grease Pan, Air Flow, India, Chicken (Not Shown)	1
9	175329	Main Grease Pan	1
10	175351	Panel, Lower "J" Burner	1
11	175200K	Weldment, Burner Shield	1
	176349	Weldment, Burner Shield, XT (EMEA Region)	1
12	175934	Burner, Tube, 0.375 Air Shutter Setting	1
	176350K	Kit, Adjustable Burner Installation (EMEA Region)	1
	176521	Burner, FBB (Australia, LPG)	1
	175950	Kit, Burner, Adjustable	1
Not Shown	600431	Kit, Lower Burner Upgrade (India)	1
13	175177	Motor Cover, Conveyor Drive Motor	1
14	175392K	Upper Electric Panel	1
15	175383	Panel, Access Electrical LWB	1
16	175305	Rear Access Panel	1
17	155695	Pan, PHU	A/R
18	175353K	PHU Pan Shelf	1
19	175778K	Discharge Hood	1
20	175358K	Discharge Pan	1
21	175357K	Side, Grease Pan	1
22	175340	Discharge Chute	1
Not Shown	600224	Kit, Service, Discharge Chute Arm Pins	A/R
Not Shown	600330	Kit, Bracket, Discharge, FBB	1
23	175250K	Panel, Access Discharge	1
24	175150K	Pivot Ash Scraper	1
25	175226	Impedance Pan (No Optional Catalyst)	1
Not Shown	175480	Catalyst, Optional	1
Not Shown	176546	Catalyst with Interlock Actuator (Australia)	1
Not Shown	175482	Catalyst Guard, Required With Catalyst	1
Not Shown	600277	Kit, Catalyst Riser Assembly	1
Not Shown	600278	Kit, Catalyst with Risor	1
26	175221	Body Top	1
	176523	Body Top (Australia)	1
Not Shown	176544	Switch, Catalyst Interlock (Australia)	1
27	175225K	Weldment, Upper Flue	1

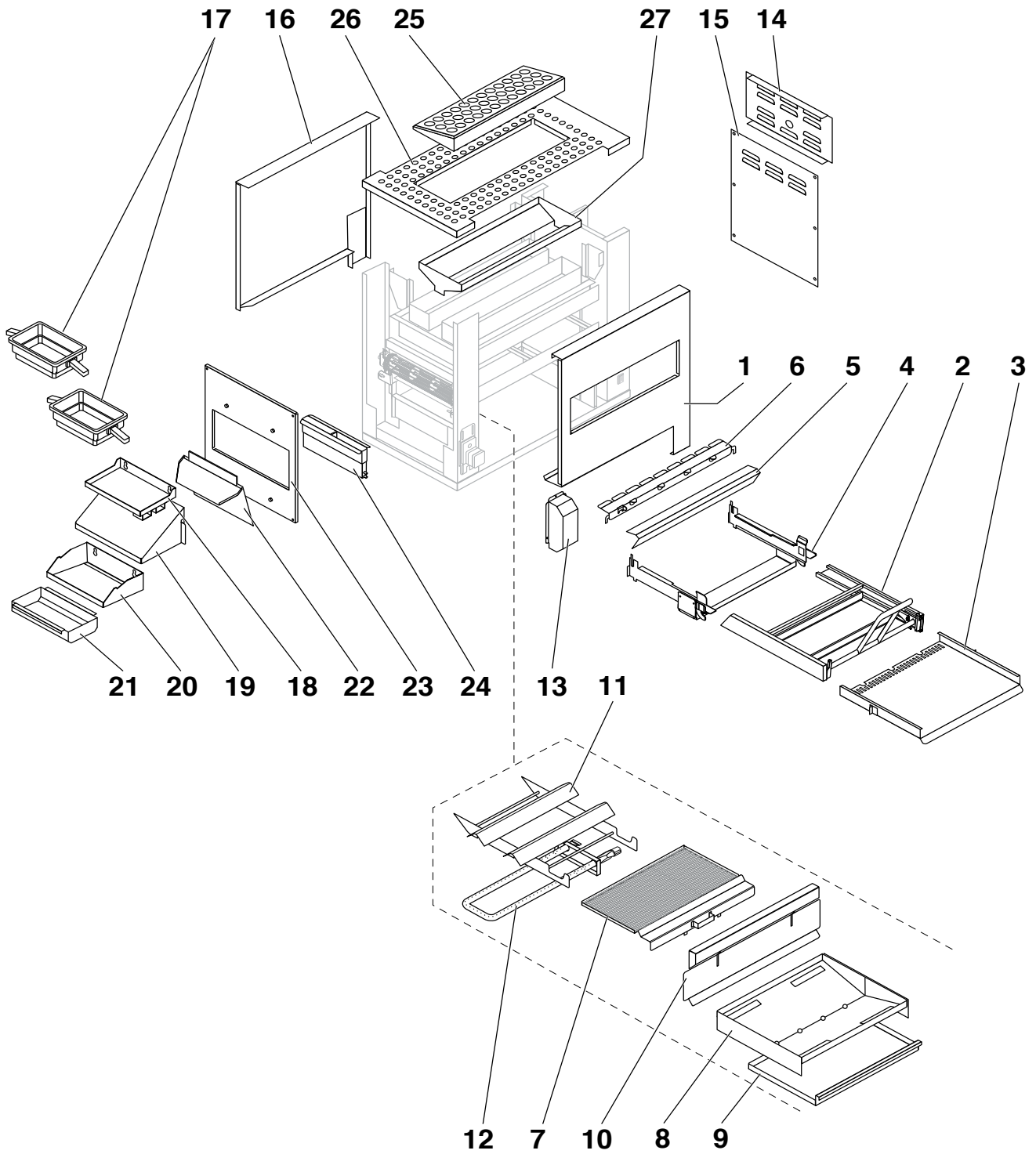


Figure: PL-1 Covers, Access Panels and Pans

TOP, FRONT AND CONTROL SIDE COMPONENTS

Location	Part Number	Description	Quantity	
28	175066	Burner, Mounting Bracket	2	
29	175780	Burner, Infrared	2	
30	175875K	Motor, Conveyor Drive	1	
31	175176	Mounting Bracket, Conveyor Drive Motor	1	
32	175517	Sprocket, B21 X 3/8" Motor	1	
33	175550	Light, Cook	1	
34	175503	Switch, Main Power	1	
35	175536	Igniter - Remote Sense (IR & Lower Burner)	3	
	176560	Igniter, Lower Burner (Australia)	1	
Not Shown	175095K	Weldment, Igniter Gaurd	1	
36	175086	Shaft Plate, Right Side	2	
37	175525	Bushing Block, Conveyor	4	
38	175038	Conveyor Shaft, Right Side	1	
39	175356	Frame, Control Board Mounting Bezel	1	
40	175918	Control Board	1	
Not Shown	176039	Kit, Mylar Replacement	1	
41	175510	Gasket, Control Bezel	1	
42	175538	Ignition Suppression Cable, Lower Ignition Module	1	
43	175802	Capacitor, Motor, Conveyor	1	
44	175877K	Ignition Module W/Label (Qty = 3/Natural Gas or 2/Propane Gas)	3 or 2	
45	175876	Ignition Module W/Label, Lower J Burner (Propane Gas Only)	1	
Not Shown	176524	Kit, Natural Gas / G20 (I2H/I2E) Conversion, EMEA	1	
Not Shown	176525	Kit, Natural Gas Conversion, Australia	1	
Not Shown	176526	Kit, Propane Gas / G31 (I3P) Conversion, EMEA	1	
Not Shown	176527	Kit, Propane Gas Conversion, International	1	
Not Shown	176528	Kit, Propane Gas Conversion, Australia	1	
Not Shown	176577	Kit, LHV Natural Gas / G25 (I2L) Conversion, EMEA	1	
Not Shown	176578	Kit, Butane/Propane Gas Mix / G30 (I3B/P) Conversion, EMEA	1	
Not Shown	176579	Kit, Natural Gas Conversion, International	1	
46	175765	Transformer-Terminated-240V PRI, 24V SEC	2	
47	175870	Relay, Solid State	2	
48	175537	Ignition Suppression Cable, Upper Ignition Module	2	
49	175553	Connect Block, 3 Wire	1	
50	175920	Kit, Valve CE with Fitting	1	
Not Shown	176329	CE Valve Filter	1	
Not Shown	175812	Harness, Valve Rectifier w/Connectors and Terminal	1	
Not Shown	600301K	Kit, CE Gas Valve & Rectifier	1	
Not Shown	175813	Flange with O-Ring & Screws	1	
51	175540	Brass Fitting – Gas Valve to Burner Supply Tube	2	
52	600290	Kit, Lower Orifice Holder Replacement	1	
	175823	Orifice, Lower Burner 3.05MM (Nat Gas, 120/230V Int, H/Alt)	1	
	175935	Orifice, Lower Burner #30, H/Alt (Nat Gas, 230V International)	1	
	175952	Orifice, Lower Burner 1.70MM (Propane/Butane Mix, 230V Int)	1	
	53	175953	Orifice, Lower Burner 1.85MM (Propane, 230V International)	1
	176388	Orifice, Lower Burner 2.00MM (Propane, 230V International)	1	
	176522	Orifice, Lower Burner 1.75MM (Propane, 230V Australia)	1	
600291	Kit, FBB, W/Low Calorific Gas	1		
54	175511	Gasket, Blower Inlet	1	

TOP, FRONT AND CONTROL SIDE COMPONENTS (CONTINUED)

55	600248K	Assembly, Blower & Gasket, CE, 230V 50HZ	1
Not Shown	600286	Kit, Blower Upgrade Components, FBB	1
Not Shown	175184	Relay, Flange Mount, 10A, 24VAC	1
Not Shown	600251K	Kit, Replacement Blower with Switch, 230V 50Hz	1
56	175380	Shield, Ignition Cable	2
57	175477	Tubing, Tee to Valve, Kit	1
58	175535	Sensor, IR Burner	2
59	175549	Hose Clamp	2
60	175189	Hose, Blower 14"	1
61	175108	Bower Box Cover	1
62	175476	Tubing – Tee to IR Kit	2
63	175541	Tee, Compression Fitting	1
64	175542	Orifice, Holder Only, IR Burners (May Also Be Required - 175547 3/8" Sleeve & 175548 3/8" Nut)	2
65	175814	Orifice, IR Burner 2.35MM (Nat Gas, 230V International)	1
	175816	Orifice, IR Burner 1.55MM (Propane, 230V International)	1
	175818	Orifice, IR Burner 1.40MM (Propane/Butane Mix, 230V Int)	1
66	175815	Orifice, IR Burner 2.50MM (Nat Gas, 230V International)	1
	175817	Orifice, IR Burner 1.61MM (Propane, 230V International)	1
	175819	Orifice, IR Burner 1.51MM (Propane/Butane Mix, 230V Int)	1
67	175478	Tubing, Lower Burner to Valve, Kit	1
	175547	Sleeve, 3/8" Compression	1
	175548	Nut, 3/8" Compression	1
68	175514	Bushing, Heyco, Shorty 1"	1
68	175514	Bushing, Heyco, Shorty 1"	1
69	175376	Plate, Orifice Holder	1
70	175546	Jam Nut, Orifice Holder, Lower	2
71	175571	Piping, Gas Manifold	1
Not Shown	176343	Harness, Test Cord Flame Sense BK Broiler, CE	1
Not Shown	176569	Instructions, BK CE Flame Sensor Test Harness (176343)	1
Not Shown	176410	Assembly, Pressure Switch/Relay (Australia)	1
Not Shown	175185	Tubing, Silicone, Pressure Switch (Australia)	1
Not Shown	176408	Assembly, Pressure Switch (Australia)	1
Not Shown	176244	Assembly, Adapter, Blower Centrifugal Switch (Japan)	1
Not Shown	600199	Kit, Full PM - 13B/13P (G30 & G31), 230V International	1
Not Shown	176682	Kit, Mini PM - 13B/13P (G30 & G31), International	1
Not Shown	600200	Kit, Full PM - 12H, 12E & 12L (G20 & G25), 230V International	1
Not Shown	176681	Kit, Mini PM - 12H, 12E & 12L (G20 & G25), International	1
Not Shown	600433	Kit, Full PM - 12H/12E (G20), 230V Australia/New Zealand	1
Not Shown	600434	Kit, Mini PM - 12H/12E (G20), 230V Australia/New Zealand	1
Not Shown	600435	Kit, Full PM - 13P (G31), 230V Australia/New Zealand	1
Not Shown	600436	Kit, Mini PM - 13P (G31), 230V Australia/New Zealand	1

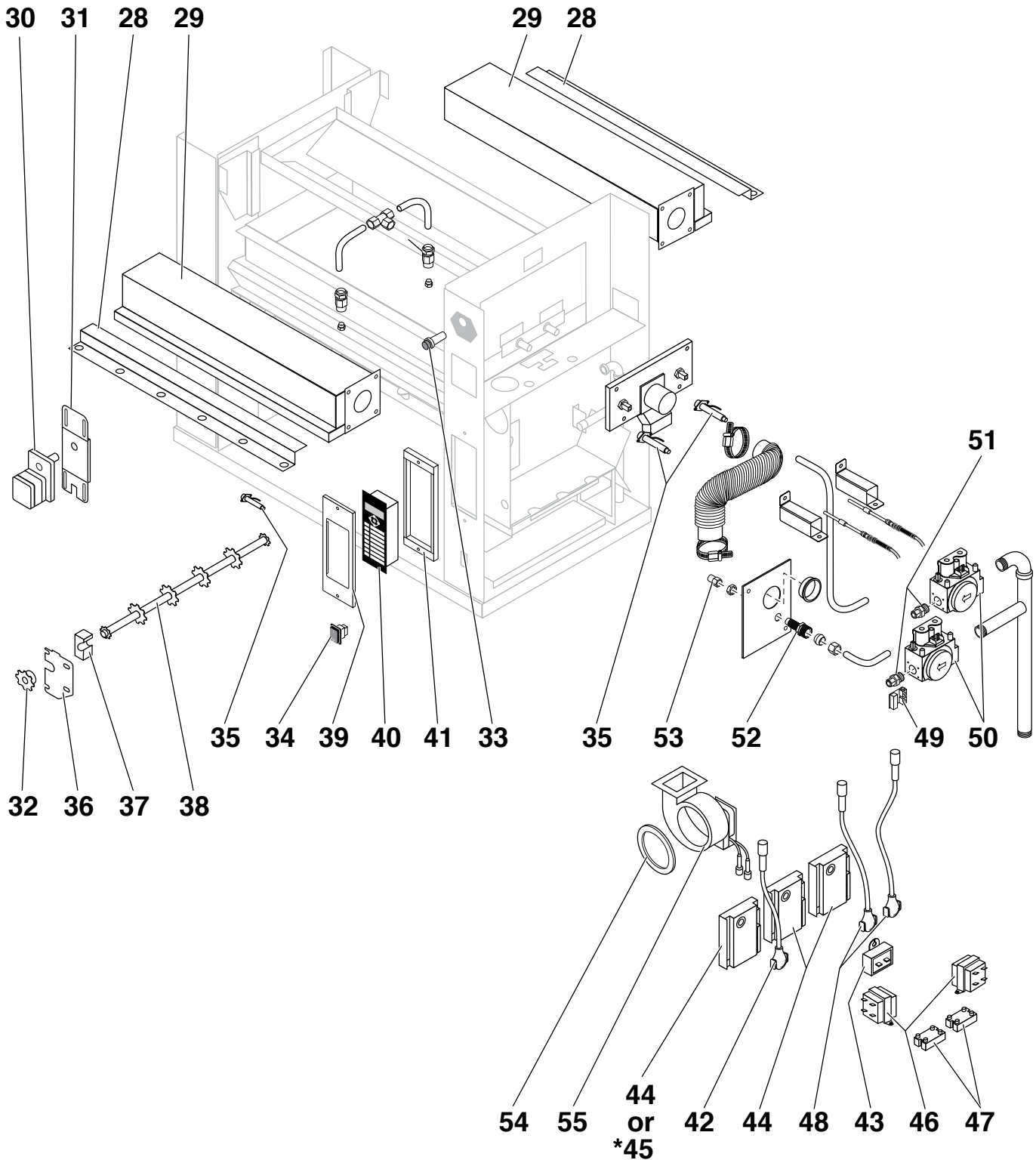


Figure: PL-2 Top, Front and Control Side Components

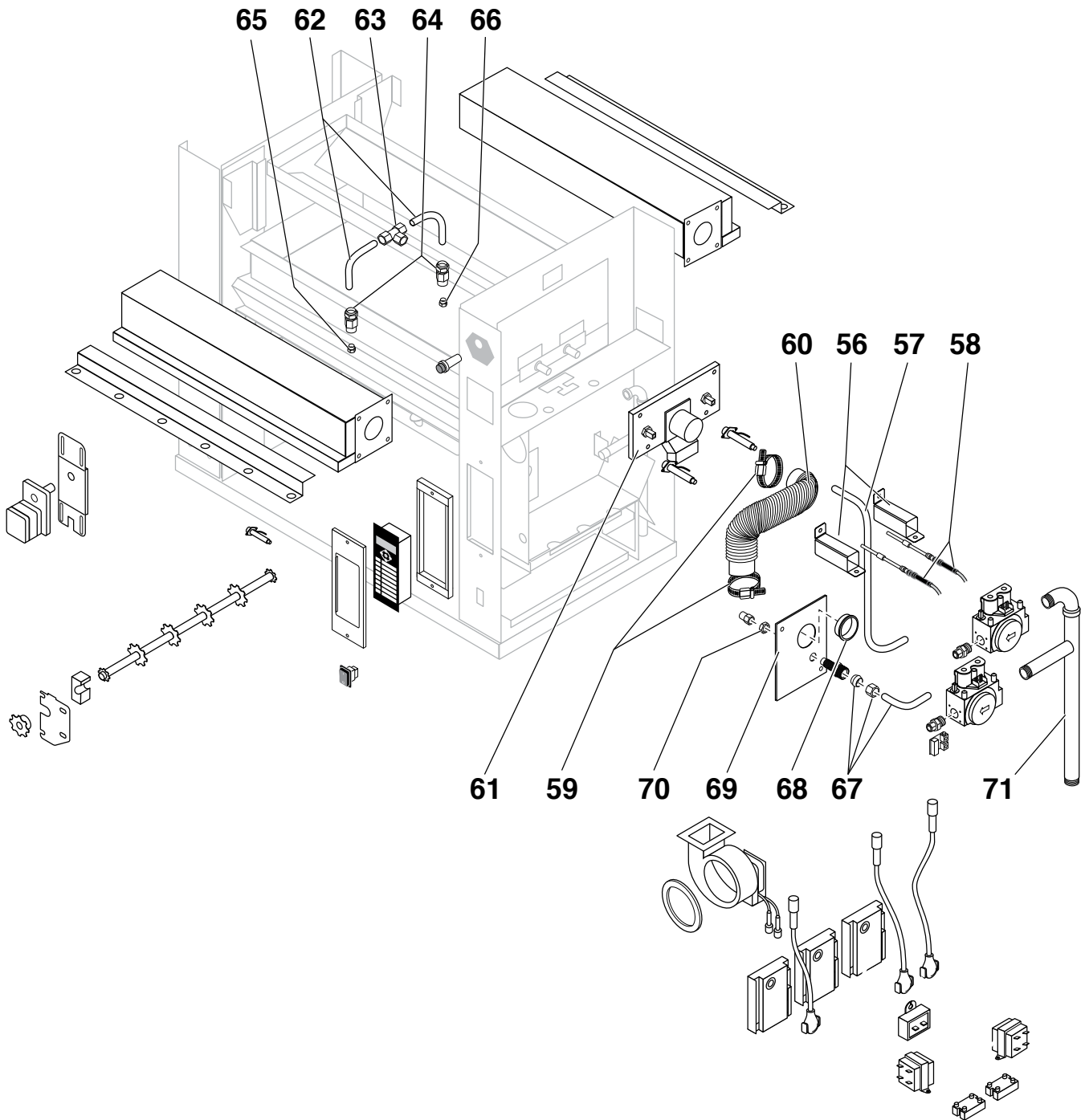


Figure: PL-3 Top, Front and Control Side Components (Continued)

REAR AND DISCHARGE SIDE COMPONENTS

Location	Part Number	Description	Quantity
36	175086	Shaft Plate, Right Side	2
37	175525	Bushing Block, Conveyor	4
72	175534	Sensor, Lower Burner	1
73	175977	Kit, Temperature Probe	1
74	175515	Strain Relief, Power Cord	1
Not Shown	175805	Cordset, Plug Type BS 1363 FBB CE	1
Not Shown	175887	Cordset, Australia/New Zealand, FBB CE	1
75	175022	Conveyor, Bushing Block Mounting Bracket, Left Side	2
76	175037K	Shaft, Discharge Side	1
77	175551	Chain, Drive	1
78	175674	Chain, Cook Conveyor	1

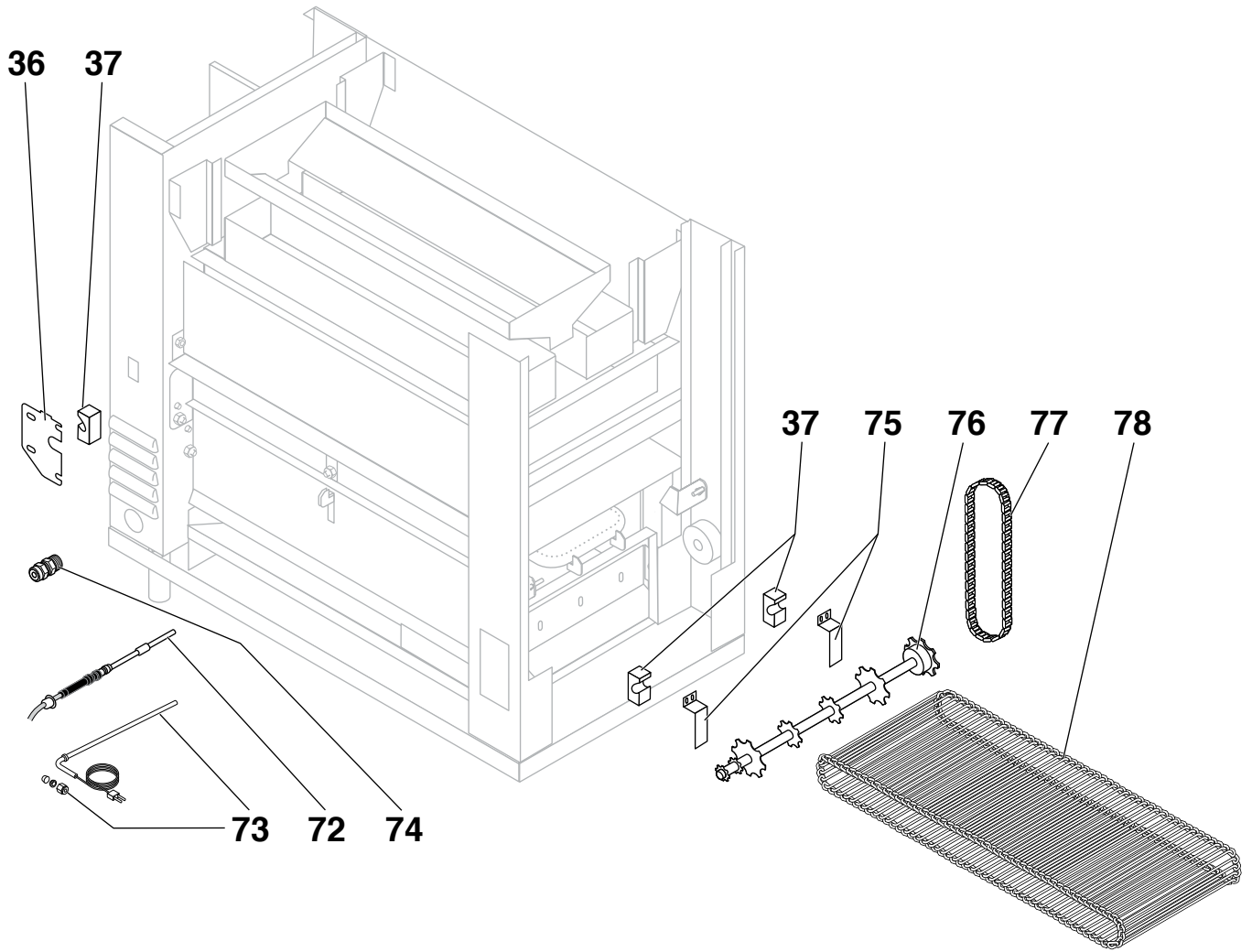


Figure: PL-4 Rear and Discharge Side Components

STAND COMPONENTS

Location	Part Number	Description	Quantity
79	175999	Weldment, Broiler Stand	1
80	175462PC	Assembly, Leg Extension w/Brake	2
81	175463PC	Assembly, Leg Extension w/o Brake	2
82	175961PC	Weldment, Top Broiler Stand	1
83	175748	Weldment, Sanitizer Bracket	1
84	175468	Screw, 5/16-18 x 3/4 SS Button Head	8
85	175459	Saddle, U-Bolt	2
86	175565	U-Bolt, 1/4-20 x 1-1/4" Long Thread	2
87	0220750SED	Nut, 1/4-20 Acorn SS	4
88	175570	Piping, Gas Supply	1
89	213028	Screw, 10-24 x 3/8" PTHMS SS	2
90	175722PC	Kit, Nylon Rivet	1
91	175701	Assy, Flame Rod Tube Cleaner (includes 175705 Brush)	1
92	175705	Brush, Flame Rod Tube Cleaner	1
93	175485	Assembly, Cleaning Tool	1
94	175842	Sanitation Pail	1
Not Shown	175700	Kit, Cleaning & Install Tool	1
Not Shown	175689	Kit, Hi Service Pressure	1
Not Shown	175690	Kit, Gas Connector Assembly	1
Not Shown	176341	Assembly, KD Welded Broiler Stand (Australia)	1

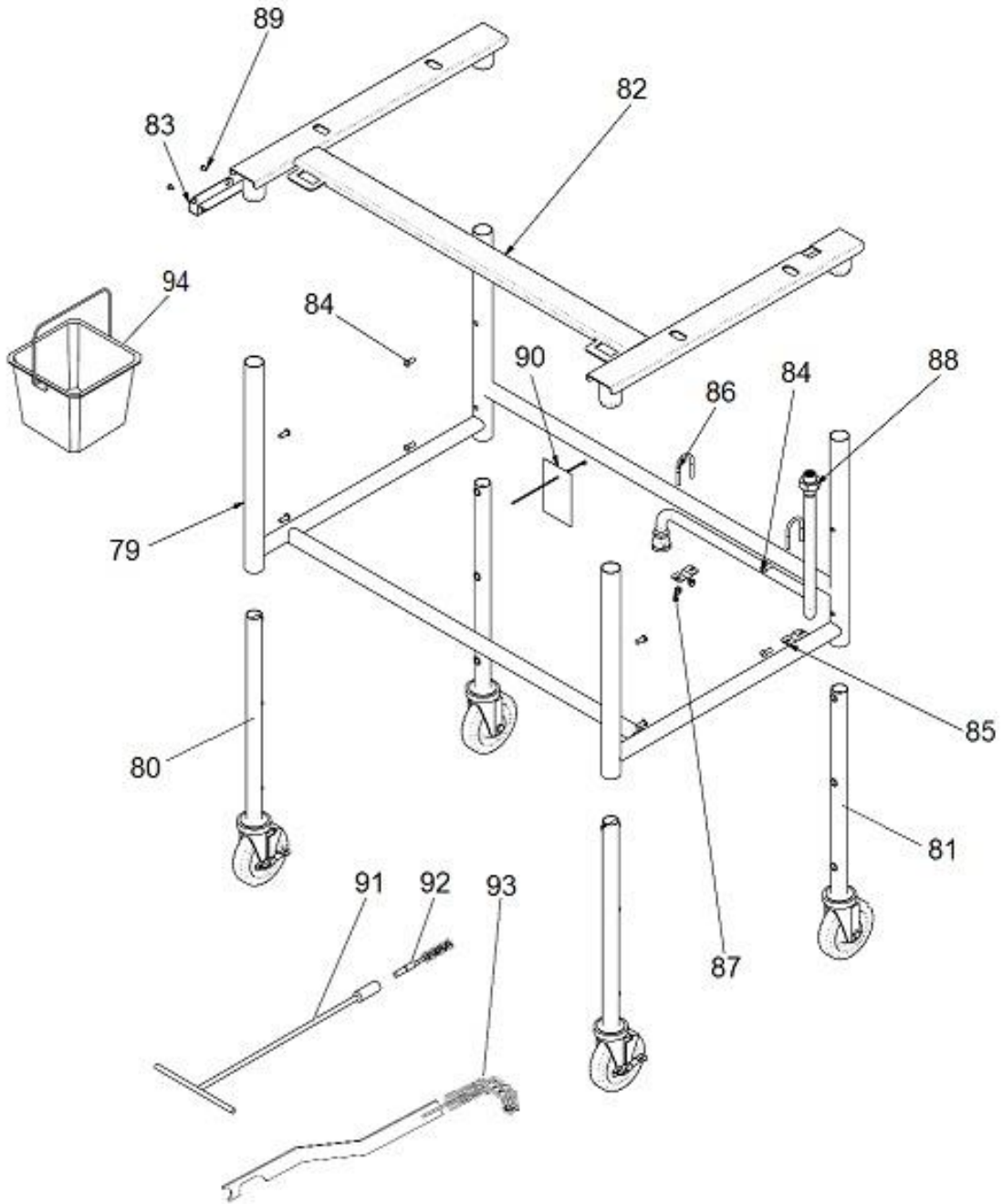
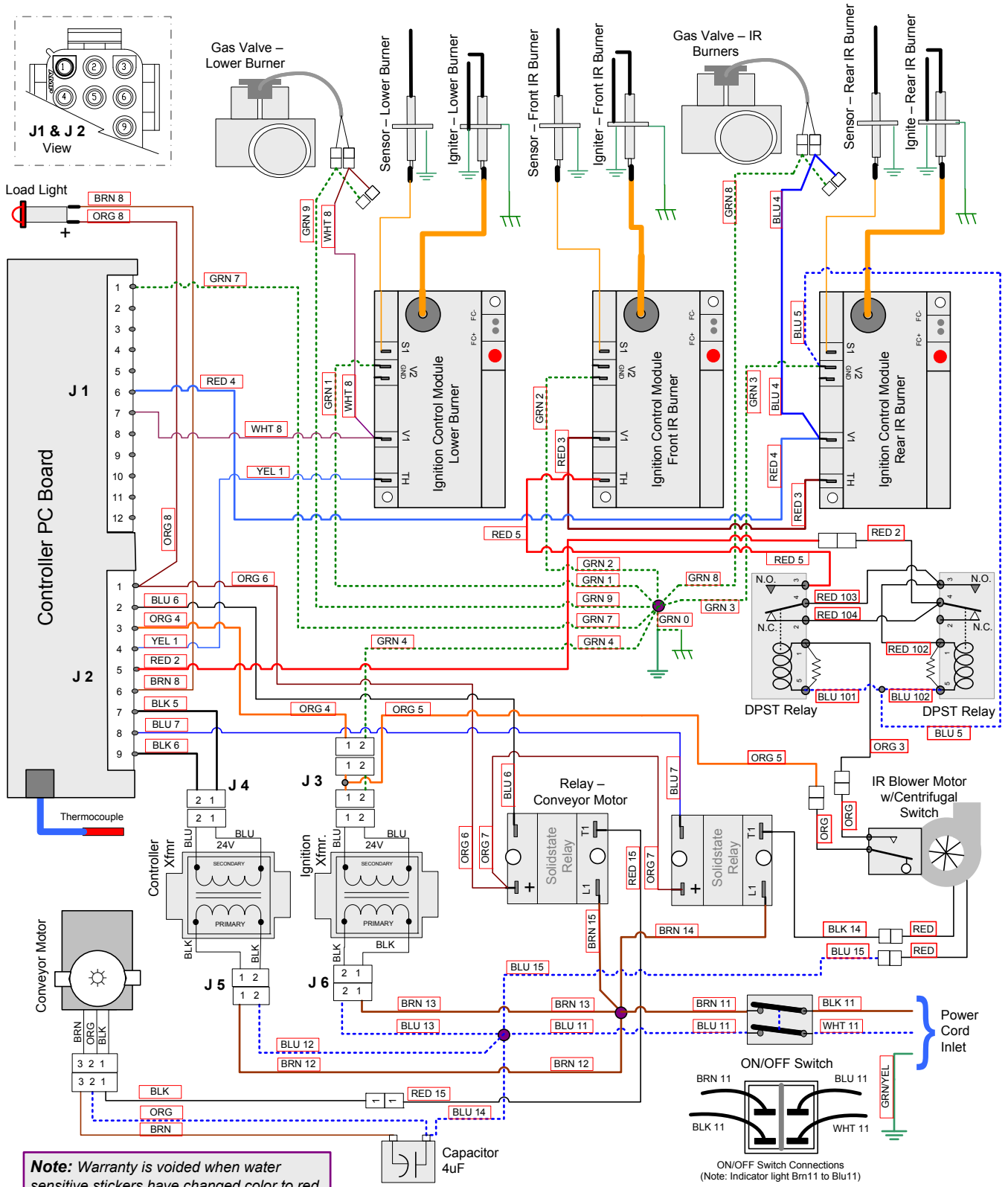


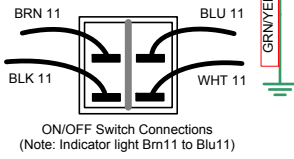
Figure: PL-5 Stand Components

ELECTRICAL SCHEMATIC – CE FLEXIBLE BATCH BROILER

DUKE MFG. 175806 Rev.E

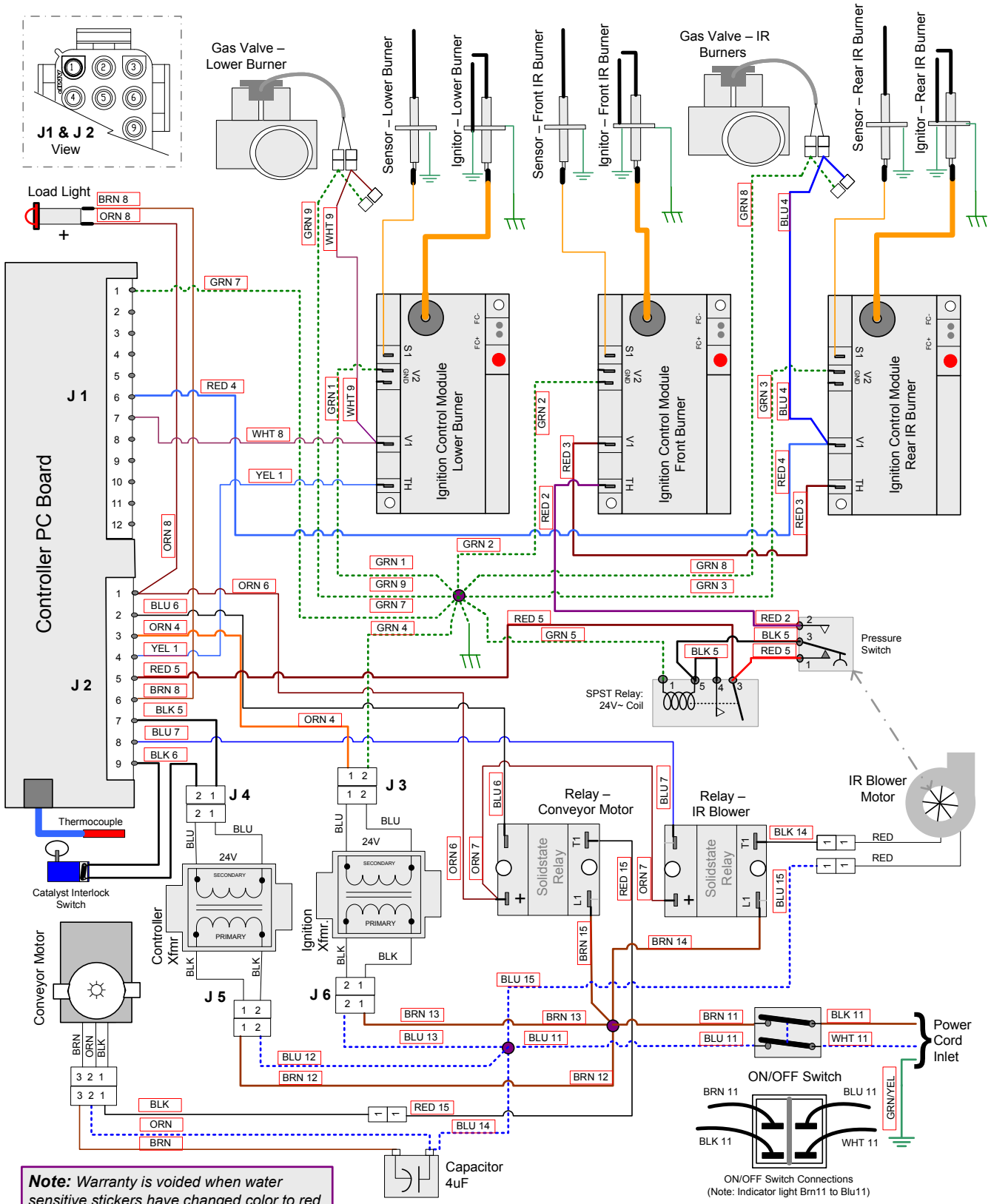


Note: Warranty is voided when water sensitive stickers have changed color to red.



ELECTRICAL SCHEMATIC – FLEXIBLE BATCH BROILER

DUKE MFG, AUS w/ IR Air Pressure Switch, P.N. 175186_D





Your Solutions Partner

Duke Manufacturing Company

**2305 N. Broadway
St. Louis, MO 63102
Phone: 314-231-1130
Toll Free: 800-735-3853
Fax: 314-231-5074
www.dukemfg.com**