



Your Solutions Partner

Illustrated Parts List

INFRARED HEATSINK™ HOLDING UNIT

MODELS:

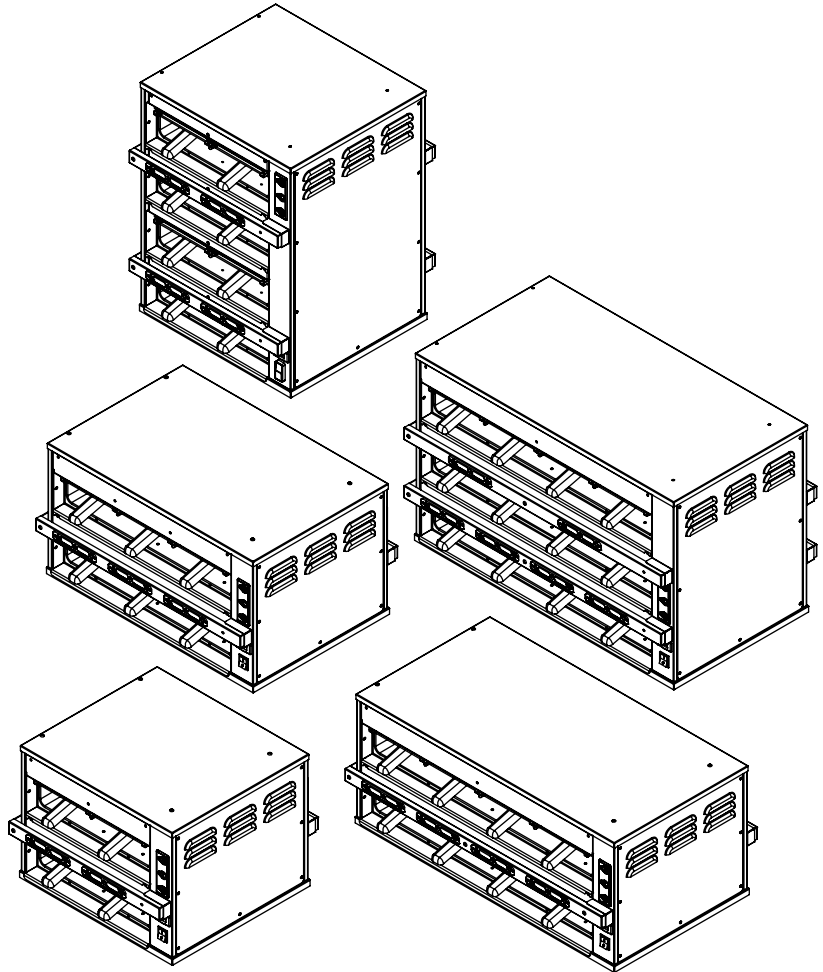
IRHS-22

IRHS-23

IRHS-24

IRHS-34

IRHS-42



*This manual is Copyright © 2018 Duke Manufacturing Company. All rights reserved.
Reproduction without written permission is prohibited. Duke is a registered
trademark of the Duke Manufacturing Company.*

Duke Manufacturing Company

**2305 N. Broadway
St. Louis, MO 63102
Phone: 314-231-1130
Toll Free: 1-800-735-3853
Fax: 314-231-5074
www.dukemfg.com**

TABLE OF CONTENTS

HOW TO DETERMINE MANUFACTURE DATE FROM DUKE EQUIPMENT SERIAL NUMBERS..3

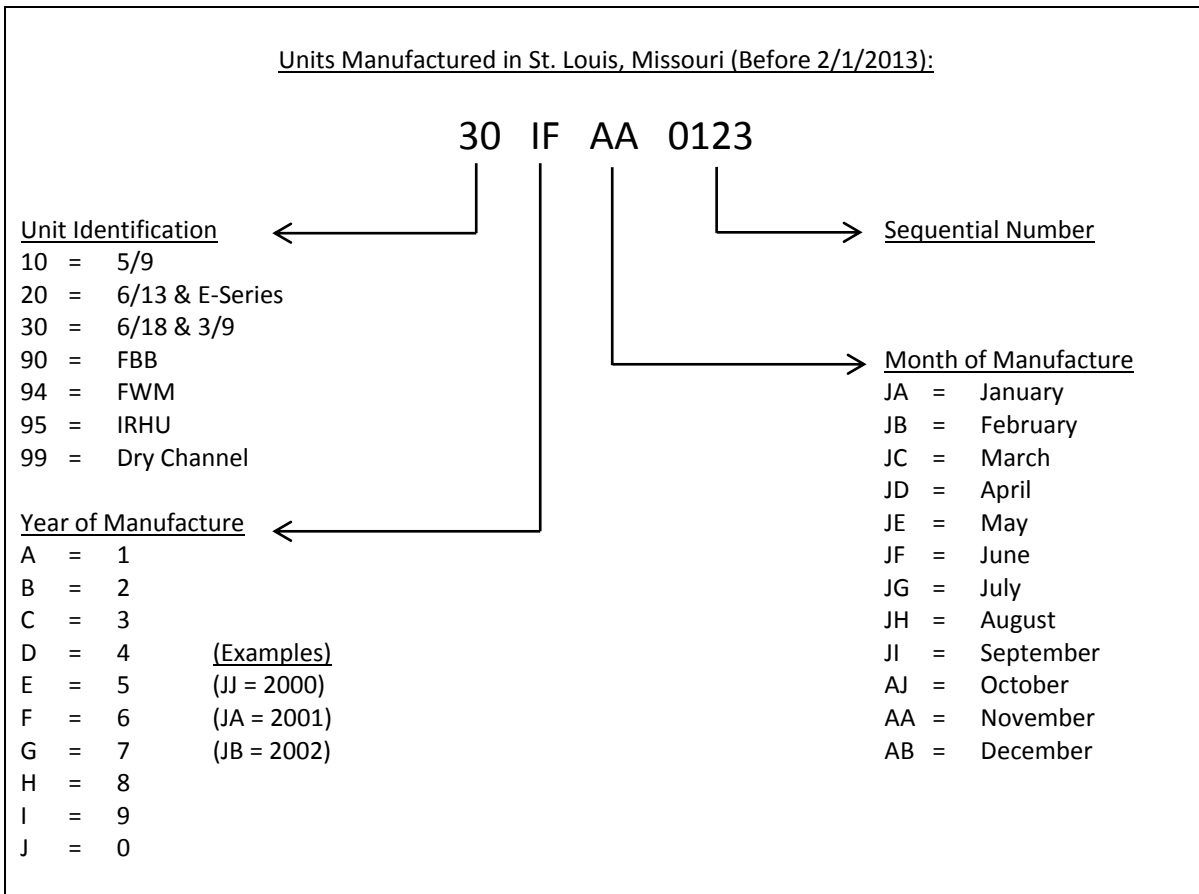
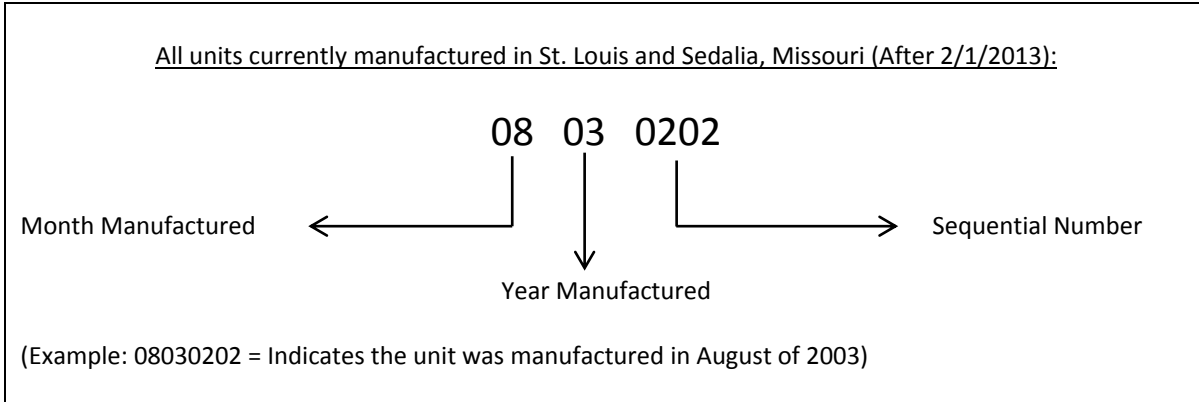
IRHS DECK ASSEMBLY
TABLE: PL-1 IRHS DECK ASSEMBLY4
FIGURE: PL-1 IRHS DECK ASSEMBLY5

IRHS CONTROL COMPARTMENT & KITCHEN MINDER
TABLE: PL-2 IRHS CONTROL COMPARTMENT & KITCHEN MINDER6
FIGURE: PL-2 IRHS CONTROL COMPARTMENT & KITCHEN MINDER7

IRHS KITCHEN MINDER CONNECTIONS
TABLE: PL-3 IRHS KITCHEN MINDER CONNECTIONS8
FIGURE: PL-3 IRHS KITCHEN MINDER CONNECTIONS8

IRHS VISOR COMPONENTS
TABLE: PL-4 IRHS VISOR COMPONENTS9
FIGURE: PL-4 IRHS VISOR COMPONENTS10

How to Determine Manufacture Date from Duke Equipment Serial Numbers



PARTS LIST – INFRARED HEATSINK™ HOLDING UNIT

IRHS Deck Assembly			Quantity per Unit				
Locator	P/N	Description	IRHS-22	IRHS-23	IRHS-24	IRHS-34	IRHS-42
1	1030-2816	ASSY, MENU BAR, 2W, TOP FRONT					1
	1030-2817	ASSY, MENU BAR, 2W, TOP REAR					
	1030-2747	ASSY, MENU BAR, 2W, RH FRONT	1				1
	1030-2759	ASSY, MENU BAR, 2W, RH REAR					
	1030-2760	ASSY, MENU BAR, 2W, LH FRONT	1				
	1030-2761	ASSY, MENU BAR, 2W, LH REAR					
	1030-2746	ASSY, MENU BAR, 3W, RH FRONT		1			
	1030-2762	ASSY, MENU BAR, 3W, LH FRONT					
	1030-2763	ASSY, MENU BAR, 3W, RH REAR		1			
	1030-2764	ASSY, MENU BAR, 3W, LH REAR					
	1030-2741	ASSY, MENU BAR, 4W, TOP/FRONT				1	
	1030-2745	ASSY, MENU BAR, 4W, TOP/REAR					
	1030-2739	ASSY, MENU BAR, 4W, FRONT			1	1	
	1030-2765	ASSY, MENU BAR, 4W, REAR					
Not Shown	1030-2975	WIRE BOX MENU BAR MOUNTING, ASY	2	2	4	4	4
2	224951	DISPLAY, KEYPAD, (UP/DOWN)	4	6	8	8	8
	224950	DISPLAY, KEYPAD, (UP/UP)				4	
3	157881	HARNESS, MENU BAR, 2W, TOP FRONT/REAR					2
	166661	HARNESS, MENU BAR, 2W, LH FRONT/REAR	2				
	166662	HARNESS, MENU BAR, 2W, RH FRONT/REAR	2				2
	166663	HARNESS, MENU BAR, 3W, LH FRONT/REAR		2			
	166664	HARNESS, MENU BAR, 3W, RH FRONT/REAR		2			
	166665	HARNESS, MENU BAR, 4W, TOP FRONT/REAR				2	
4	166017	EMITTER, 340W-208V	4	6	8	12	8
	166018	EMITTER, 340W-240V					
5	166015	SOCKET, EMITTER, STRIPPED	8	12	16	24	16
6	166011	COVER, PAN	AS REQUIRED				
7	1030-2550	ASSY, IR GLASS FRAME, 2W	2				4
	1030-2549	ASSY, IR GLASS FRAME, 3W		2			
	1030-2776	ASSY, IR GLASS FRAME, 4W			2	3	
8	158279	RTD 1K OHM MEDIUM	2	2	4	6	4
9	158312	THERMOSTAT, HI LIMIT 300F	2	2	2	3	4
10	166004	ELEMENT, HEAT, 2W, 300W-208V	2				4
	166005	ELEMENT, HEAT, 2W, 300W-240V	2				4
	166007	ELEMENT, HEAT, 3W, 450W-208V		2			
	166008	ELEMENT, HEAT, 3W, 450W-240V		2			
	166009	ELEMENT, HEAT, 4W, 300W-208V			4	6	
	166010	ELEMENT, HEAT, 4W, 300W-240V			4	6	

Table: PL-1 IRHS Deck Assembly

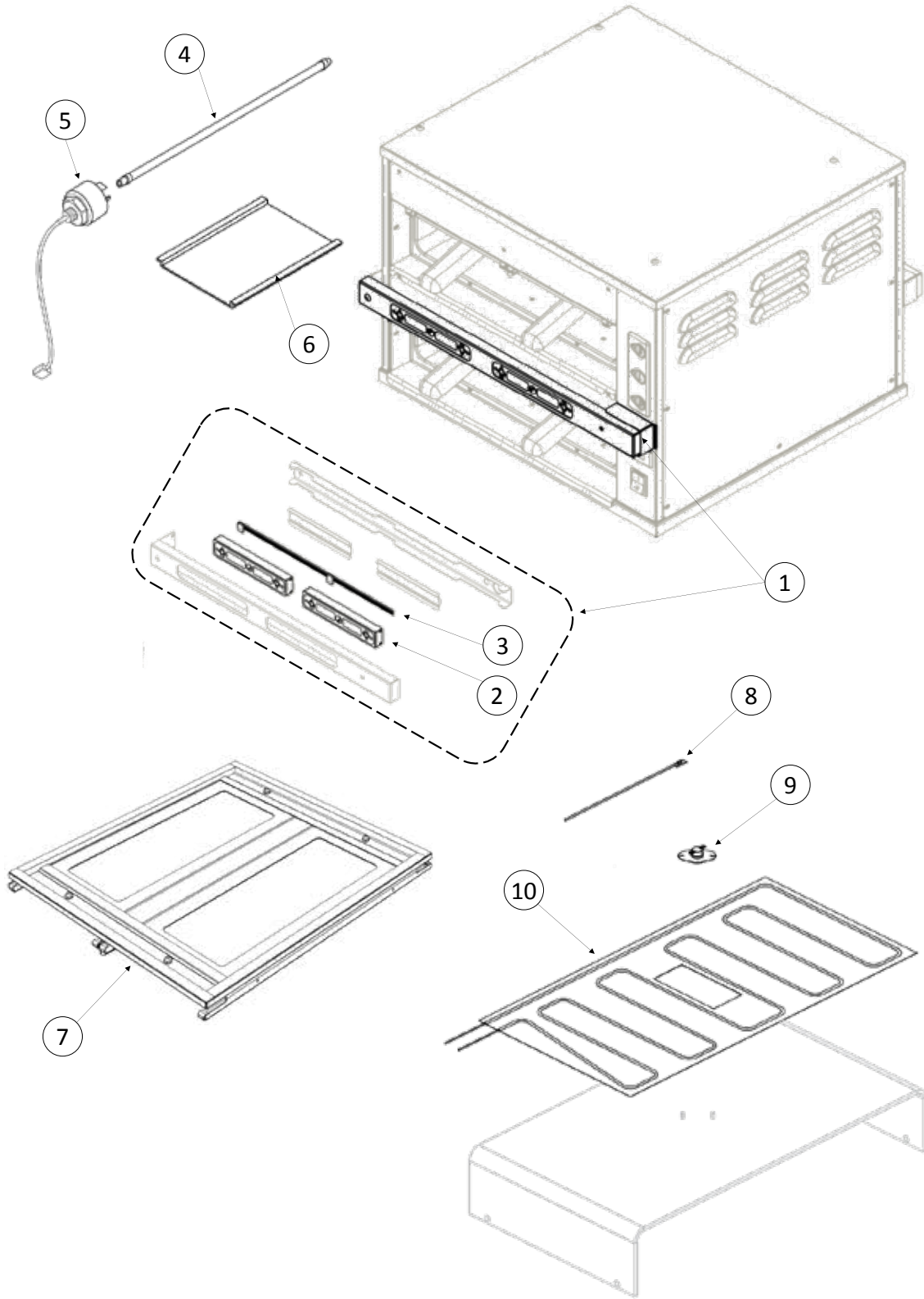


Figure: PL-1 IRHS Deck Assembly

PARTS LIST – INFRARED HEATSINK™ HOLDING UNIT

IRHS CONTROL COMPARTMENT			Quantity per Unit				
Locator	P/N	Description	IRHS-22	IRHS-23	IRHS-24	IRHS-34	IRHS-42
11	157916	ASSY, DAYPART SWITCH	1	1	1	1	1
12	156195	ADAPTER, USB HOST	1	1	1	1	1
13	169629	SWITCH, POWER, SEALED CARLING <i>(After 7/2014)</i>	1	1	1	1	1
	157886	SWITCH, POWER, DPST, 20A, 250V <i>(Prior to 7/2014)</i>	1	1	1	1	
Not Shown	161046	Harness, CE Filter, 10A	1	1	1	1	1
14	157830	RELAY, SMART POWER MODULE	3	4	6	10	6
15	155749	TRANSFORMER, 208/240 VAC	1	1	1	1	1
	156838	TRANSFORMER, 230 VAC	1	1	1	1	1
16	120102	HOLDER, FUSE	1	1	1	1	1
Not Shown	120103	FUSE, 12A	2	2	2		2
	166030	FUSE, 16A				2	
17	1030-2915	KIT, IRHS CONTROL SERVICE REPLACEMENT HMC-34-DU7	1	1	1	1	1
18	158337	RTD BOARD	1	1	1	1	1
19	156624	POWERCORD, 15 AMP 250V, W/TERMINALS, 6' (Units Mfg. Before 7/24/2014)	1	1	1		
	222170	POWERCORD, 15 AMP 250V W/TERMINALS, 6' (Units Mfg. After 7/24/2014)	1	1	1		1
	156631	POWERCORD, 16 AMP 230V, CE W/TERMINALS, 8' (Units Mfg. Before 11/3/2014)	1	1	1	1	1
	160448	POWERCORD, 16 AMP 230V, W/TERMINALS, 8', IEC 60309 (Units Mfg. After 11/3/2014)	1	1	1	1	1
	166070	CORD, POWER 20 AMP 208/240				1	

IRHS KITCHEN MINDER (If Installed)			Quantity per Unit				
Locator	P/N	Description	IRHS-22	IRHS-23	IRHS-24	IRHS-34	IRHS-42
20	222250	MASTER CONTROL BOARD	1	1	1	1	1
21	222252	ADAPTER BOARD - W/LI	1	1	1	1	1
22	1030-2895	PLATE, MOUNTING RJ45, 2 HOLE (RJ12/RJ45)				1	
23	1030-2571	PLATE, MOUNTING RJ45, 3 HOLE (RJ12/RJ45)	1	1	1		1
24	156617	COUPLER, 8X8 RJ45 (Cat 3)				1	
25	156616	COUPLER, 6X6 RJ12 (Cat 3)				1	
26	166147	COUPLER, 8X8 RJ45 (Cat 5e)	2/3	2/3	2/3		2/3
27	1030-2906	SHIELD, CABLE LG (Ref. 1030-2912)	1	1	1		1
	1030-2907	SHIELD, CABLE SM (Ref. 1030-2911)				1	
Not Shown	222109	CABLE, RJ45 CAT 5E, MALE x MALE, 25' BLACK	AS REQUIRED				
Not Shown	156491	CABLE, RJ12, MALE x MALE, 8'	AS REQUIRED				
Not Shown	600376	KIT, KM CONVERSION, MASTER CONTROL	1	1	1	1	1
Not Shown	600377	KIT, KM CONVERSION, SATELLITE CONTROL	1	1	1	1	1

Table: PL-2 IRHS Control Compartment & Kitchen Minder

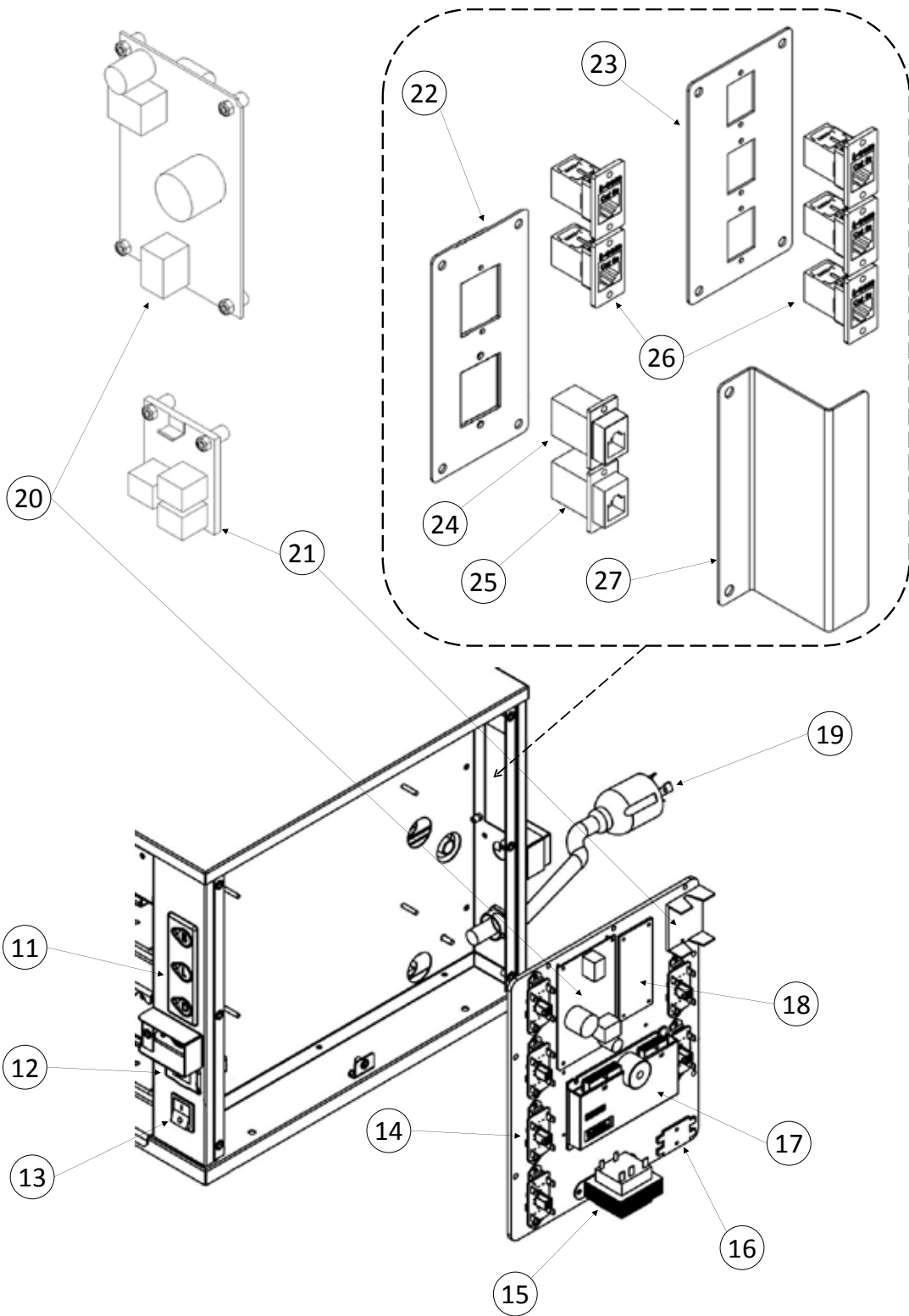


Figure: PL-2 IRHS Control Compartment & Kitchen Minder

PARTS LIST – INFRARED HEATSINK™ HOLDING UNIT

Kitchen Minder Connections (If Installed)			Quantity
Locator	Part #	Description	
24	156617	COUPLER, 8X8 RJ45 (Cat 3)	AS REQUIRED
25	156616	COUPLER, 6X6 RJ12 (Cat 3)	
28	222109	CABLE, RJ45 CAT 5E, MALE x MALE, 25' BLACK	
29	156491	CABLE, RJ12, MALE x MALE, 8'	

Table: PL-3 IRHS Kitchen Minder Connections

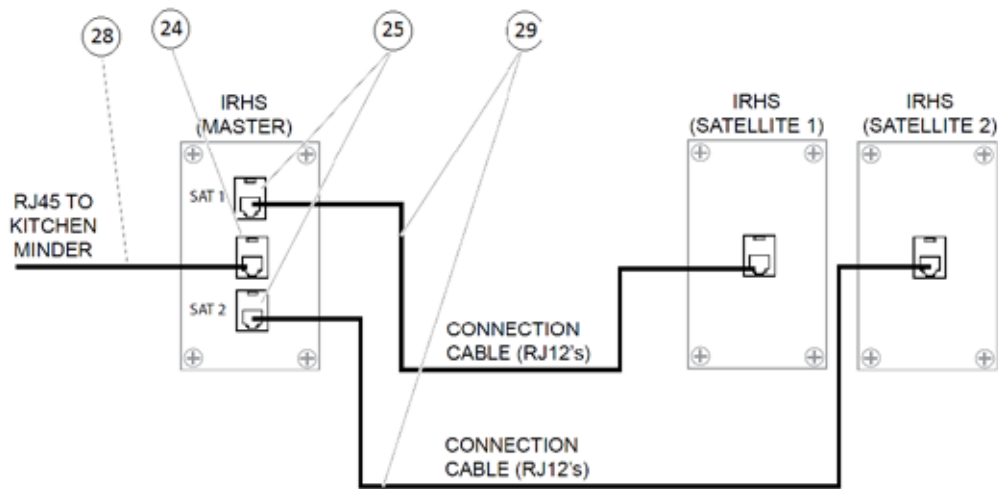


Figure: PL-3 IRHS Kitchen Minder Connections

PARTS LIST – INFRARED HEATSINK™ HOLDING UNIT

IRHS VISOR COMPONENTS (If Installed)			Quantity per Unit				
Locator	P/N	Description	IRHS-22	IRHS-23	IRHS-24	IRHS-34	IRHS-42
30	1031-0087	PANEL, CONTROL, 3X4, RH				1	
	1031-0082	PANEL, CONTROL, 2X2, 2X3-RHC, LH	1	1			
	1031-0081	PANEL, CONTROL, 2X3-IHC, 2X4, RH			1		1
	1031-0080	PANEL, CONTROL, 2X2, 2X3-RHC, RH	1	1			
31	120102	HOLDER, FUSE	1	1	1	1	1
32	120103	FUSE, 12A	2	2	2		2
	166030	FUSE, 16A				2	
33	120011	PCB, 12V PWR 208/230V	1	1	1	1	1
34	600417	ACM, PCB SERVICE KIT	1	1	1	1	1
35	600418	10-3 PCB ASSEMBLY SERVICE KIT	1	1	2	3	2
36	600419	TRIAC PCB ASSY SERVICE KIT	2	2	4	6	4
37	212106	CONNECTOR, 5 CONDUCTOR	AS REQUIRED				
38	1031-0159	PLATE, COVER, OUTER PEMSTUDS	1	1	1	1	1
39	166136	INDICATOR, LED, FLUSH BEZEL	1	1	1	1	1
40	1031-0018	PLATE, USB PANEL MT	1	1	1	1	1
41	166111	MODULAR, JACK IP67	1	1	1	1	1
42	166141	JUMPER, USB TO USB	1	1	1	1	1
43	1031-0036	COVER, ETHERNET CABLE	1	1	1	1	1
Not Shown	167614	SENSOR, CURRENT	1	1	1	1	1
Not Shown	600393	KIT, MENU BAR TO DMC 2X2 RH, 2X3 RH	1	1			
Not Shown	600394	KIT, MENU BAR TO DMC 2X2 LH, 2X3 LH	1	1			
Not Shown	600395	KIT, MENU BAR TO DMC 2X4 RH			1		
Not Shown	600396	KIT, MENU BAR TO DMC 3X4 RH				1	

Table: PL-4 IRHS Visor Components

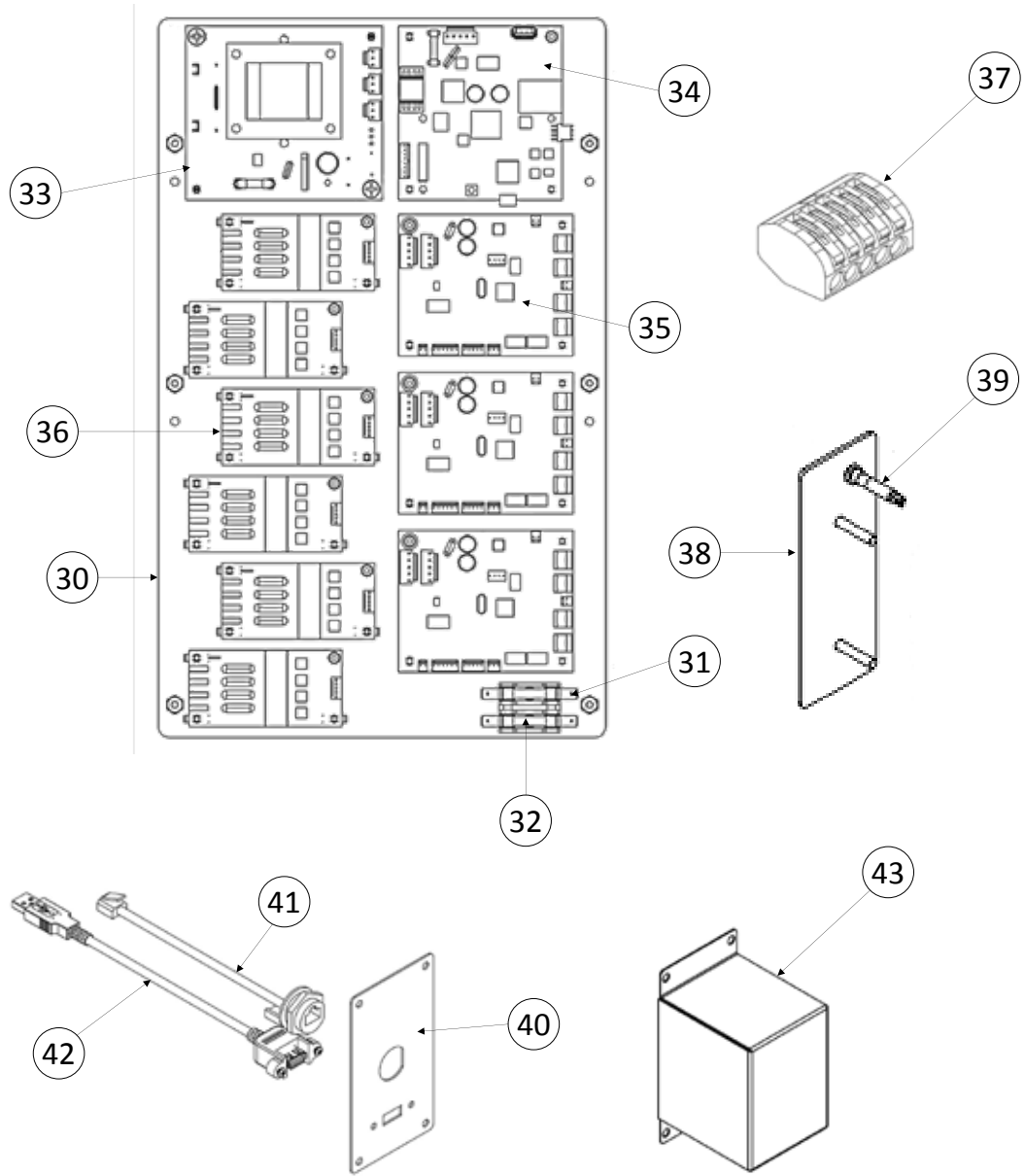


Figure: PL-4 IRHS Visor Components

NOTES:



Your Solutions Partner

Duke Manufacturing Co.

2305 N. Broadway • St. Louis, MO 63102

800-735-3853 • 314-231-1130

Fax: 314-231-5074

www.dukemfg.com