

# DUKE FLEXIBLE BATCH BROILER

**SHIPPING WEIGHT:** 482 lbs (219 Kg)  
**SHIPPING DIMENSIONS:** 47" X 34" X 68" (119.4 X 86.4 X 172.7 cm)

MODEL NUMBER	ELECTRICAL RATING	GAS RATING
FBB-NO-120	120VAC, 2A, 60Hz	87,000 - 111,000 BTU/HR
FBB-NC-120	120VAC, 2A, 60Hz	87,000 - 111,000 BTU/HR
FBB-PO-120	120VAC, 2A, 60Hz	79,000 - 105,000 BTU/HR
FBB-PC-120	120VAC, 2A, 60Hz	79,000 - 105,000 BTU/HR

**Cord & Plug Configuration – NEMA 5-15P plug with a 6 foot cord**

## FBB-X Y -120

X = N (NATURAL GAS)  
 X = P (PROPANE / LP GAS)

Y = O (NO CATALYST)  
 Y = C (CATALYST)

120 = 120 VOLTS

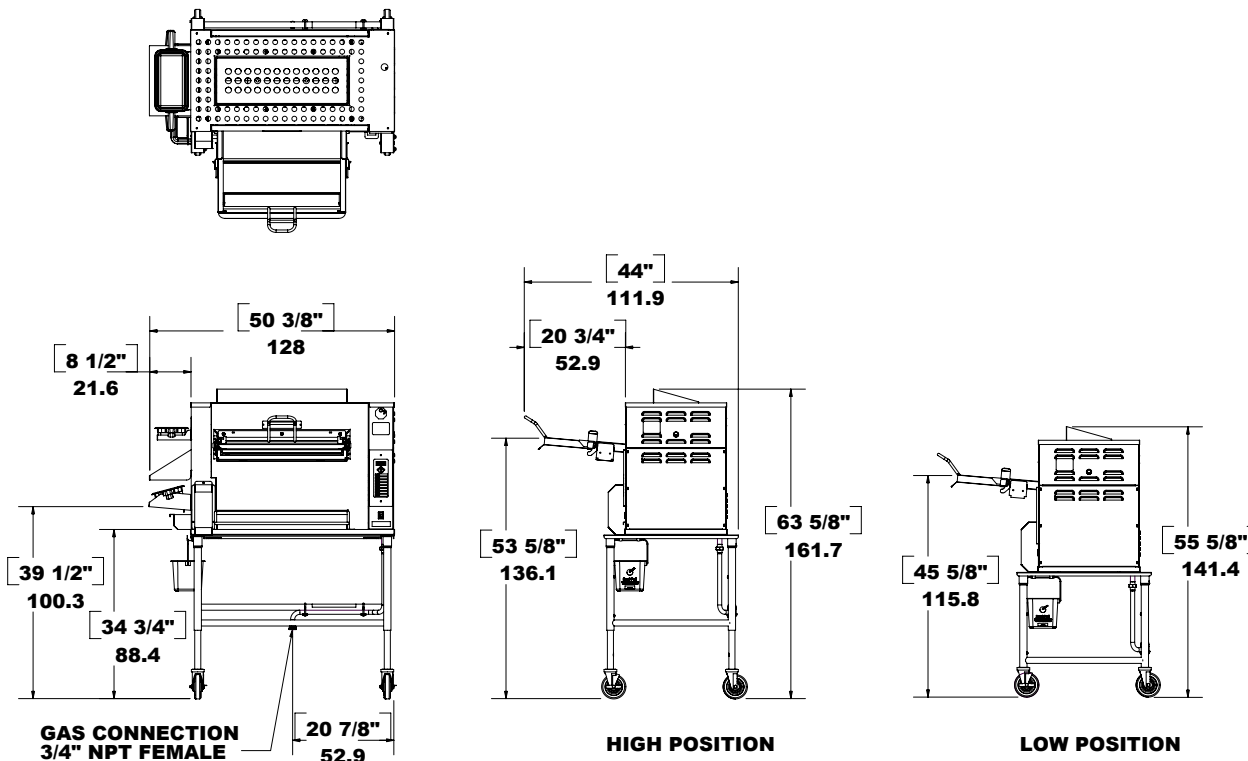


ANSI Z83.11  
 CSAa 1.8-2006  
 31GZ



NSF Standard 4  
 Sanitation

*Note: Dimension shown in centimeters, bracketed [ ] are in inches*



US and Foreign Patents Pending



"Your Solutions Partner"

## Duke Manufacturing Company

2305 N. Broadway • St. Louis, MO 63102  
 1-800-735-3853 • 314-231-1130 • 314-231-5074

[www.dukemfg.com](http://www.dukemfg.com)

175111B