

DUKE FLEXIBLE BATCH BROILER

SHIPPING WEIGHT: 482 lbs (219 Kg)
SHIPPING DIMENSIONS: 47" X 34" X 68" (119.4 X 86.4 X 172.7 cm)

MODEL NUMBER	ELECTRICAL RATING	GAS RATING
FBB-10-230	230VAC, 1A, 50/60Hz	25.20 KW
FBB-1C-230	230VAC, 1A, 50/60Hz	25.20 KW
FBB-20-230	230VAC, 1A, 50/60Hz	26.37 KW
FBB-2C-230	230VAC, 1A, 50/60Hz	26.37 KW
FBB-30-230	230VAC, 1A, 50/60Hz	25.20 KW
FBB-3C-230	230VAC, 1A, 50/60Hz	25.20 KW
FBB-50-230	230VAC, 1A, 50/60Hz	26.37 KW
FBB-5C-230	230VAC, 1A, 50/60Hz	26.37 KW

Cord & Plug Configuration – Shuko CEE 7/7 plug with a 2.5 meter cord

FBB-XY-230

X = 1 (PROPANE/LP GAS)
 X = 2 (STANDARD NATURAL GAS)
 X = 3 (PROPANE/BUTANE GAS MIXTURE)
 X = 5 (LOW HEATING VALUE NATURAL GAS)

Y = Q (NO CATALYST)
 Y = C (CATALYST)

230 = 230 VOLTS

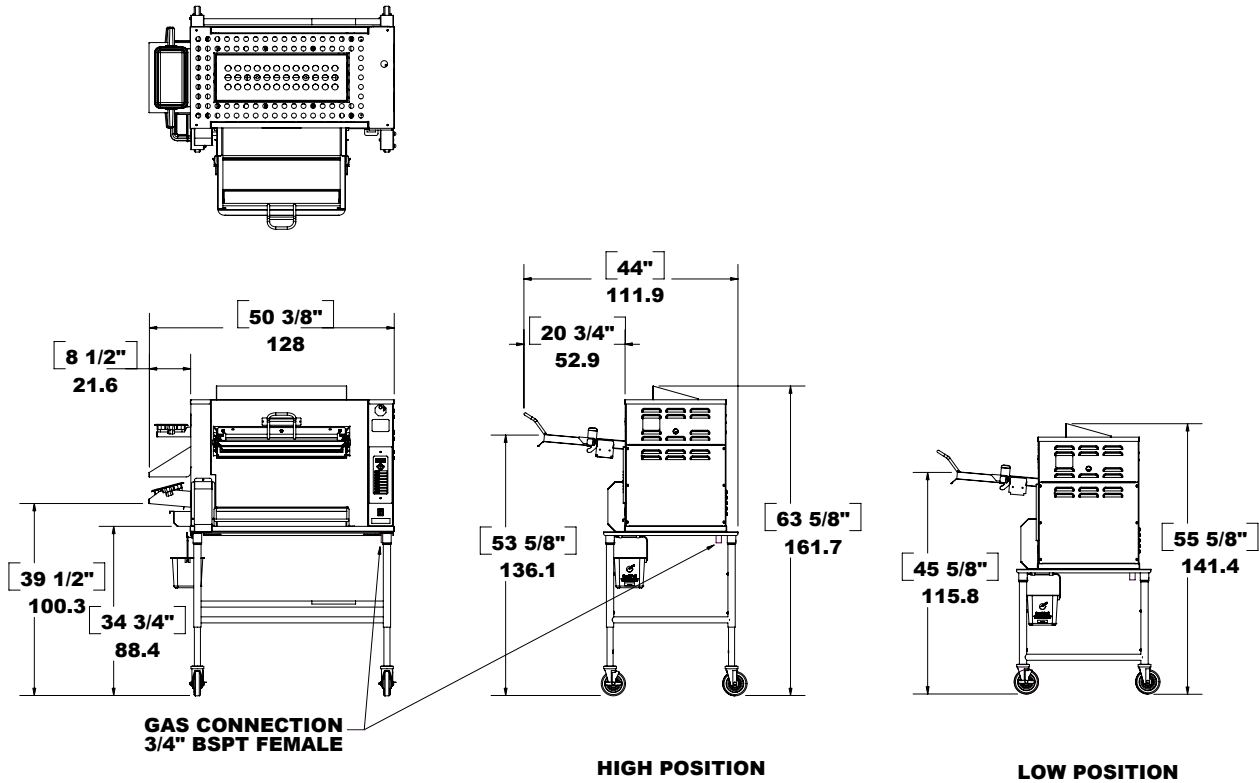


ANSI Z83.11
 CSAa 1.8-2006
 31GZ



NSF Standard 4
 Sanitation

Note: Dimension shown in centimeters, bracketed [] are in inches



US and Foreign Patents Pending



"Your Solutions Partner"

Duke Manufacturing Company

2305 N. Broadway • St. Louis, MO 63102
 1-800-735-3853 • 314-231-1130 • 314-231-5074

www.dukemfg.com

175112B