

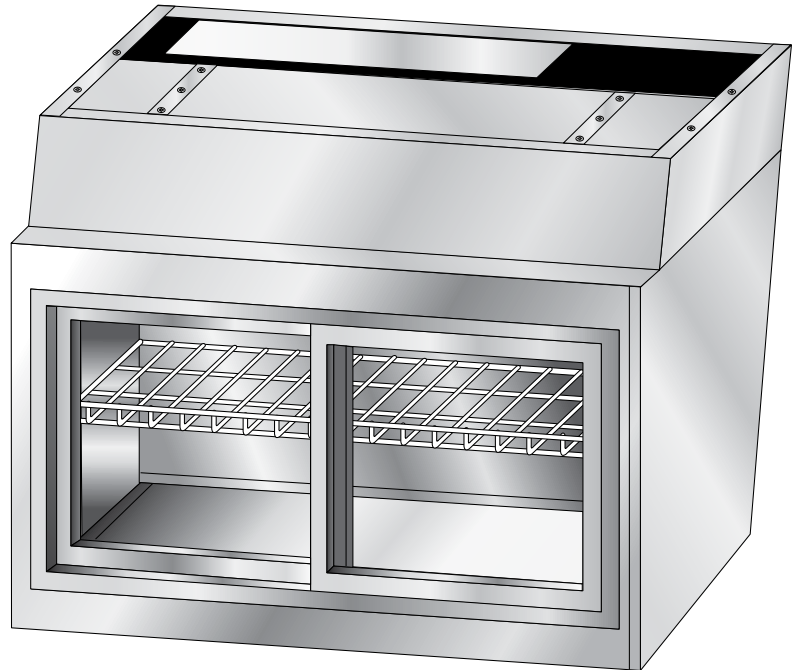


*Your Solutions Partner*

## **Illustrated Parts List**

# **OVER HEAD REFRIGERATED MERCHANDISER**

## **OHRM-39**



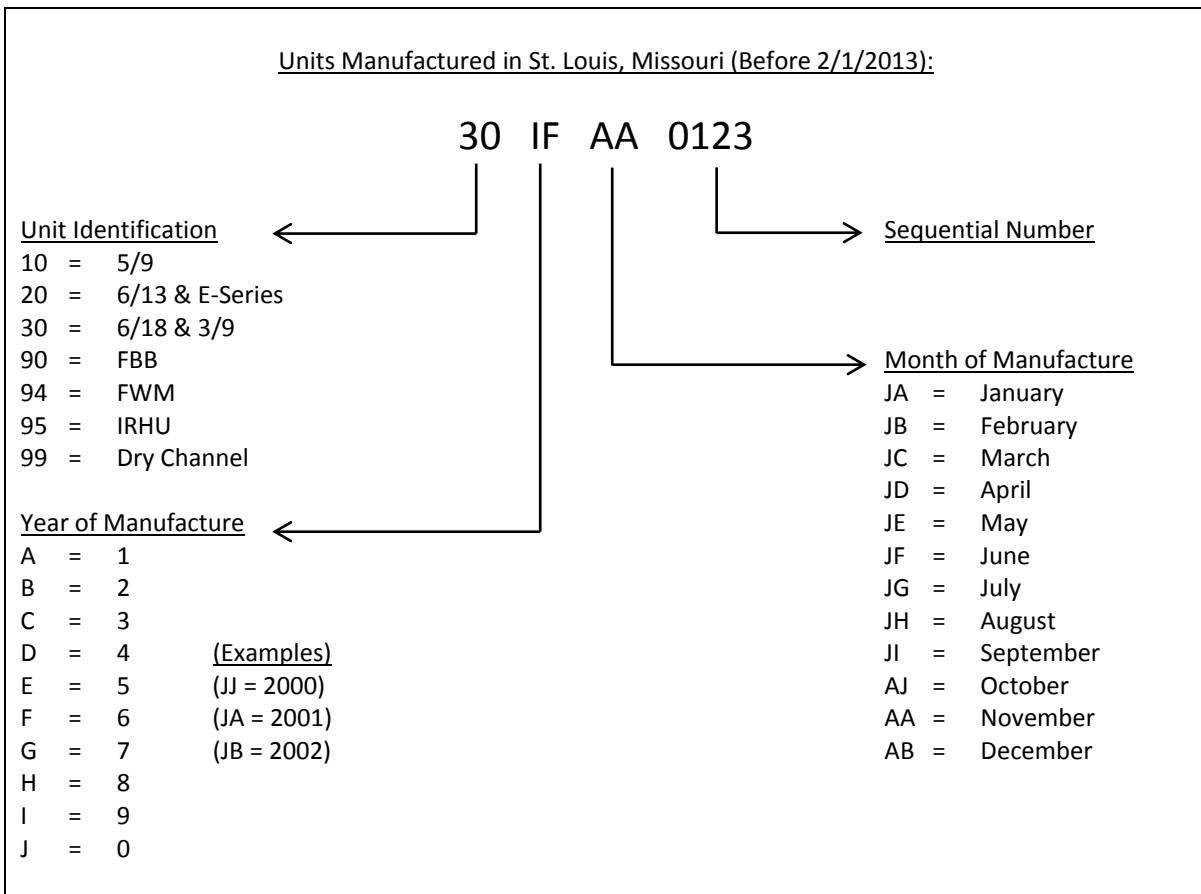
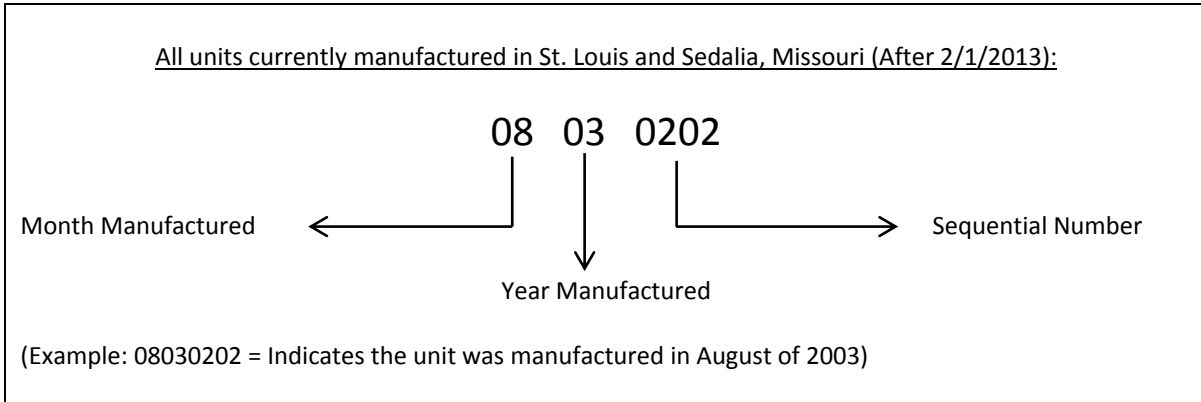
---

*This manual is Copyright © 2017 Duke Manufacturing Co. All rights reserved.  
Reproduction without written permission is prohibited. Duke is a registered  
trademark of the Duke Manufacturing Co..*

### **Duke Manufacturing Co.**

**2305 N. Broadway  
St. Louis, MO 63102  
Phone: 314-231-1130  
Toll Free: 1-800-735-3853  
Fax: 314-231-5074  
[www.dukemfg.com](http://www.dukemfg.com)**

## How to Determine Manufacture Date from Duke Equipment Serial Numbers



## TABLE OF CONTENTS

|                                       |    |
|---------------------------------------|----|
| FINAL ASSEMBLY.....                   | 4  |
| Table: PL-1 Final Assembly.....       | 4  |
| Figure: PL-1 Final Assembly.....      | 5  |
| INNER LINER .....                     | 6  |
| Table: PL-2 Inner Liner.....          | 6  |
| Figure: PL-2 Inner Liner .....        | 6  |
| EVAPORATOR ASSEMBLY .....             | 7  |
| Table: PL-3 Evaporator Assembly ..... | 7  |
| Figure: PL-3 Evaporator Assembly..... | 7  |
| EVAPORATOR FAN.....                   | 7  |
| Table: PL-4 Evaporator Fan.....       | 7  |
| Figure: PL-4 Evaporator Fan .....     | 7  |
| CONDENSER ASSEMBLY .....              | 8  |
| Table: PL-5 Condenser Assembly .....  | 8  |
| Figure: PL-5 Condenser Assembly ..... | 9  |
| OHRM WIRING DIAGRAM .....             | 10 |

**FINAL ASSEMBLY**

| ITEM      | PART NUMBER | DESCRIPTION                        | QTY. |
|-----------|-------------|------------------------------------|------|
| 1         | 213957      | GROMMET, ROUND 1-7/8" BLACK        | 3    |
| 2         | 216575      | THERMOMETER, REGRIG                | 1    |
| 3         | T993906     | SALAD ANGLE HOLDER                 | 2    |
| 4         | 225851      | LIGHT, LED 12" CW 2.4W             | 2    |
| 5         | 225852      | LIGHT, LED 8" CW 1.6W              | 1    |
| 6         | 225861      | CORD, LED SINGLE 98"               | 4    |
| 7         | E020583     | RETAINER LED RECESSED              | 3    |
| 8         | 225745      | Assembly, Sliding Door, 18" x 36"  | 1    |
| Not Shown | 600491      | Kit, ORRM Door Replacement Gaskets | 1    |
| 9         | 225840      | LIGHT, LED 12" CW 2.4W 6500K       | 6    |
| 10        | 225842      | LIGHT, LED 8" CW 1.6W 6500K        | 3    |
| 11        | 225737      | RACK WIRE SHELF                    | 1    |
| 12        | T993907     | ANGLE PIE HOLDER                   | 1    |
| 13        | 225460      | PUSHER, BEVTRAC (16/20 OZ)         | 8    |
| Not shown | 225855      | DRIVER, LED, 24VDC 30W             | 1    |
| Not shown | 228700      | SPRING, BK DOORS, YELLOW 11.5"     | 1    |

**Table: PL-1 Final Assembly**

### FINAL ASSEMBLY

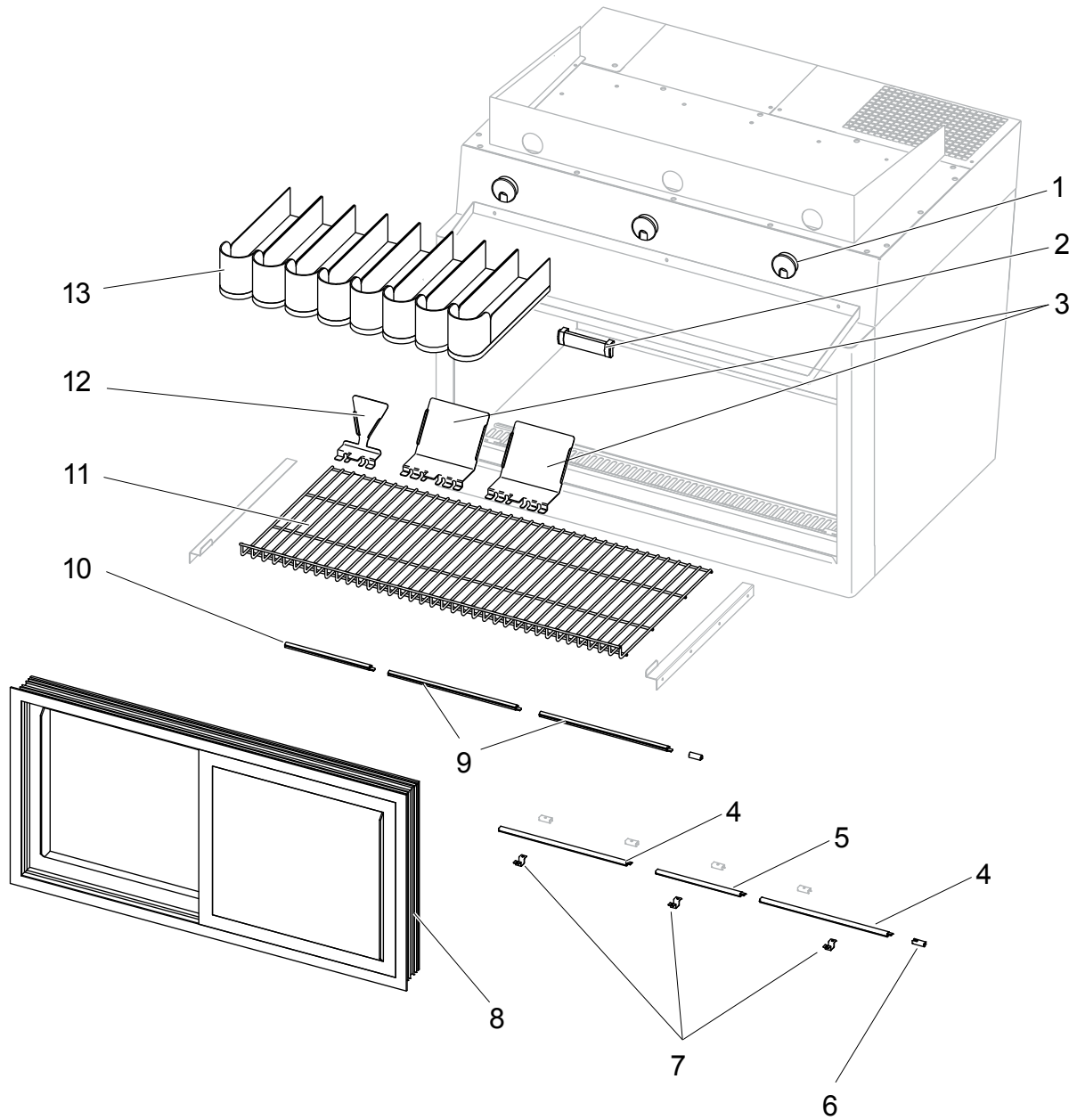


Figure: PL-1 Final Assembly

### INNER LINER

| ITEM | PART NUMBER | DESCRIPTION           | QTY. |
|------|-------------|-----------------------|------|
| 1    | E020448     | PANEL AIR DUCT BOTTOM | 1    |
| 2    | E020605     | DIVERTER AIR FLOW     | 1    |

Table: PL-2 Inner Liner

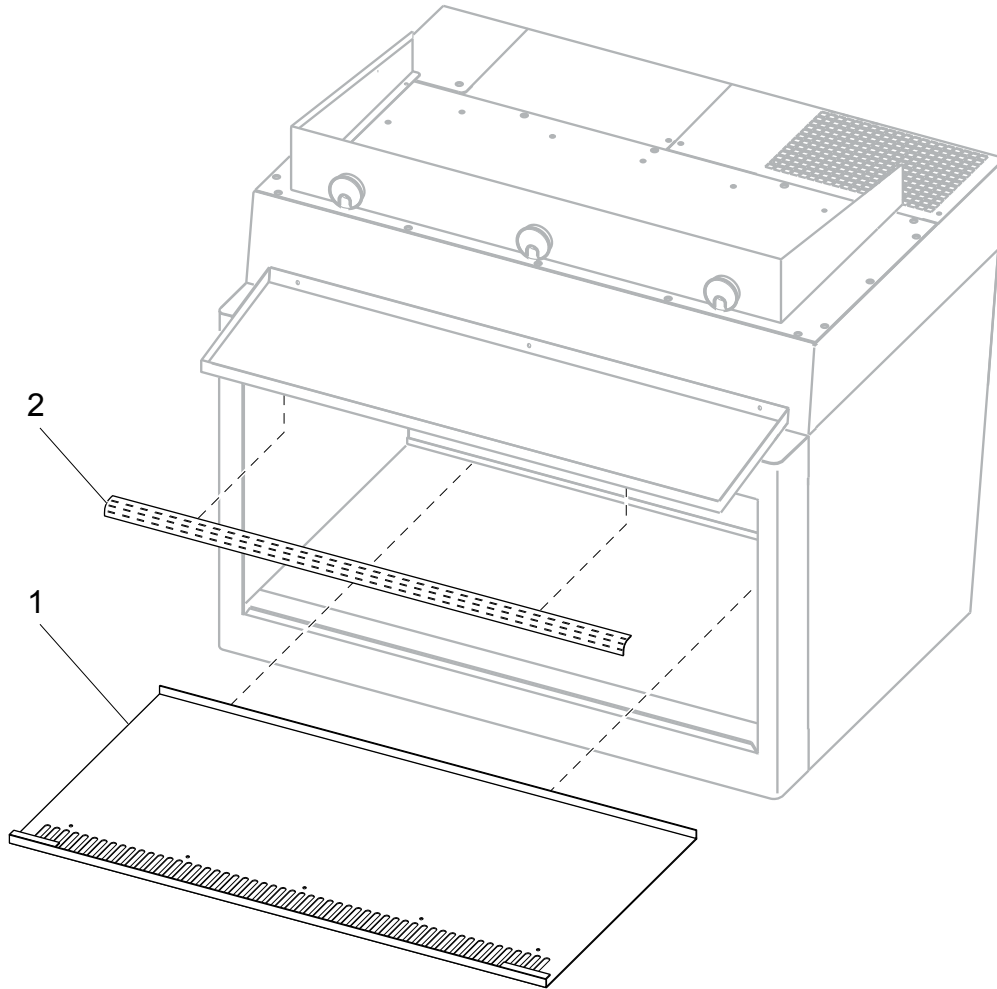


Figure: PL-2 Inner Liner

### EVAPORATOR ASSEMBLY

| ITEM      | PART NUMBER | DESCRIPTION                   | QTY. |
|-----------|-------------|-------------------------------|------|
| 1         | 216827      | Thermostat, 120V 60Hz         | 1    |
|           | 216830      | Thermostat, 220/230V, 50/60Hz | 1    |
| 2         | 226570      | EVAPORATOR COIL               | 1    |
| Not Shown | 216834      | AIR TEMP PROBE                | 1    |
| Not Shown | 226838      | EVAPORATOR PROBE              | 1    |

Table: PL-3 Evaporator Assembly

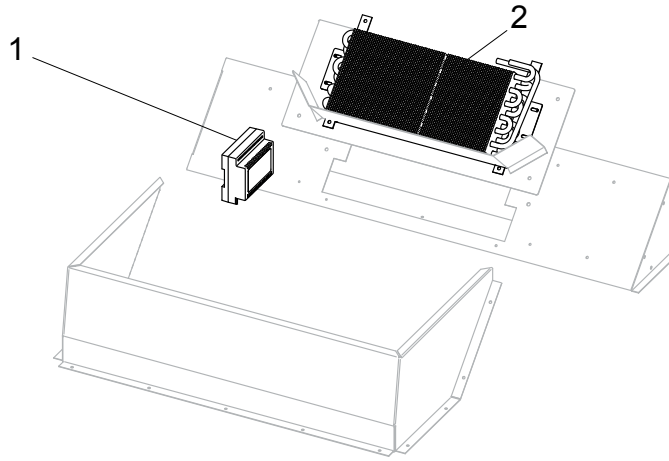


Figure: PL-3 Evaporator Assembly

### EVAPORATOR FAN

| ITEM | PART NUMBER | DESCRIPTION             | QTY. |
|------|-------------|-------------------------|------|
| 1    | 71138       | FAN/MOTOR ASSEMBLY 120V | 1    |
|      | 216788      | FAN/MOTOR ASSEMBLY 230V | 1    |

Table: PL-4 Evaporator Fan

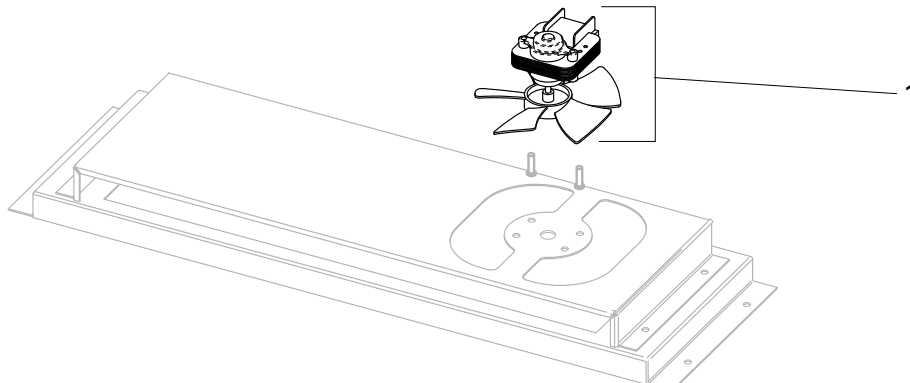


Figure: PL-4 Evaporator Fan

**CONDENSER ASSEMBLY**

| ITEM      | PART NUMBER   | DESCRIPTION   | QTY.     |
|-----------|---------------|---|----------|
| 1         | E020615       | COIL, DRAIN PAN OHRM                                | 1        |
| 2         | E020411       | BRACKET ANGLE COIL HOLD DN                          | 2        |
| <b>3</b>  | <b>216486</b> | <b>CONDENSER UNIT, 1/5HP 120V R134</b>              | <b>1</b> |
| Not Shown | 217826        | RELAY, 120VAC 60Hz <i>(Ref-216486)</i>              | 1        |
| Not Shown | 217843        | START CAPACITOR, 120VAC 60Hz <i>(Ref-216486)</i>    | 1        |
| Not Shown | 217825        | OVERLOAD PROTECTOR, 120VAC 60Hz <i>(Ref-216486)</i> | 1        |
| <b>3</b>  | <b>216447</b> | <b>CONDENSER UNIT, 1/5 HP 220V R134</b>             | <b>1</b> |
| Not Shown | 217863        | RELAY, 220V 50Hz <i>(REF-216447)</i>                | 1        |
| Not Shown | 217864        | START CAPACITOR, 220V 50Hz <i>(REF-216447)</i>      | 1        |
| Not Shown | 217862        | OVERLOAD PROTECTOR, 220V 50HZ <i>(REF-216447)</i>   | 1        |
| 4         | 212372        | RECEPTACLE, ELEC 5-15 GFCI DUPLEX                   | 1        |
|           | 222153        | RECEPTACLE, SCHUKO, 16A 250V                        | 1        |
| 5         | 213091        | THUMB SCREW, 10-24 X 3/8                            | 2        |
| 6         | E020493       | COVER REMOVABLE CONDENSER                           | 1        |
| 7         | 225739        | BREAKER, 4 AMP CIRCUIT TYCO TYCO #W28XQ1A4          | 1        |
| 8         | 222302        | SWITCH, ROCKER, RED 250V                            | 1        |

**Table: PL-5 Condenser Assembly**



### CONDENSER ASSEMBLY

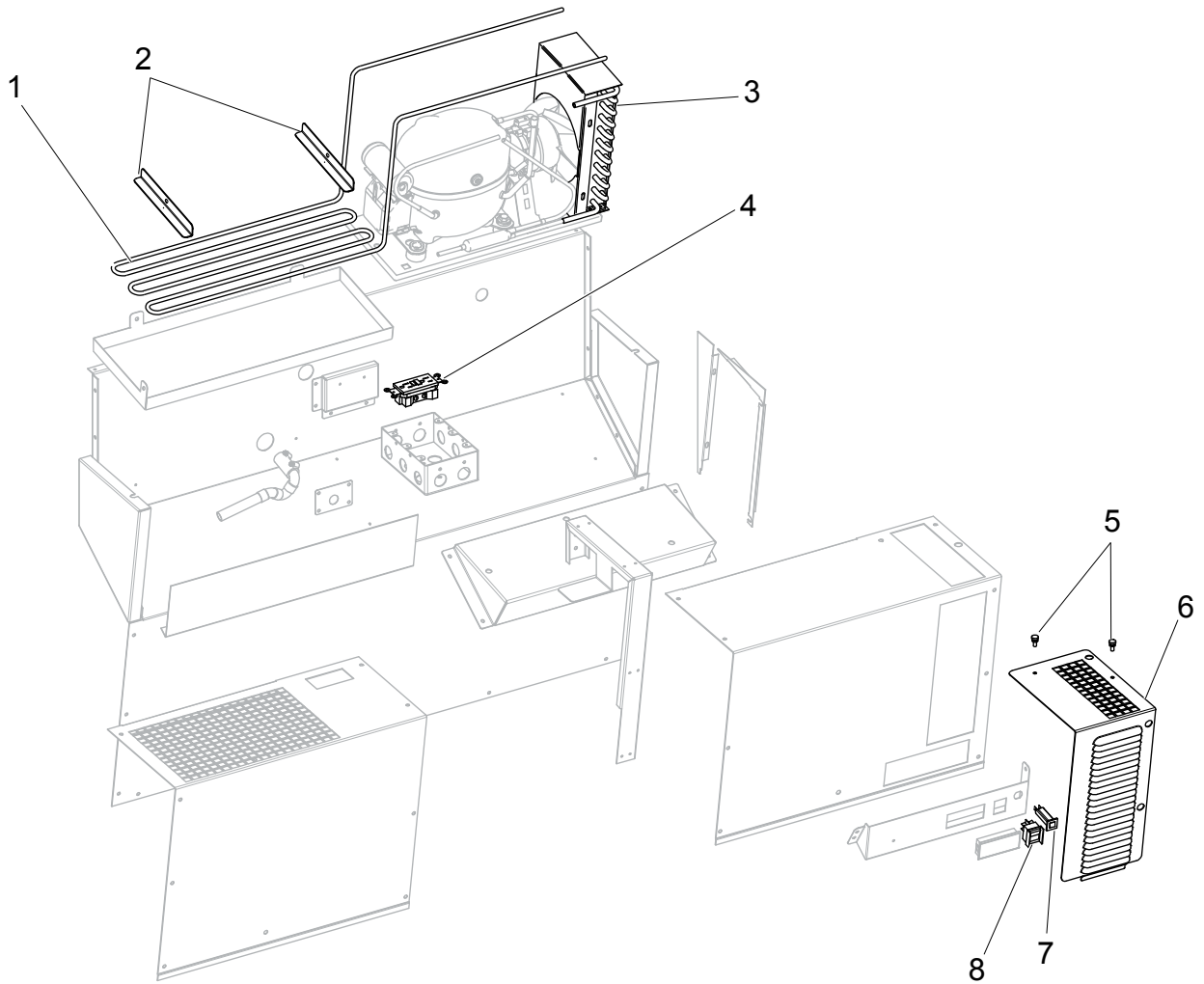
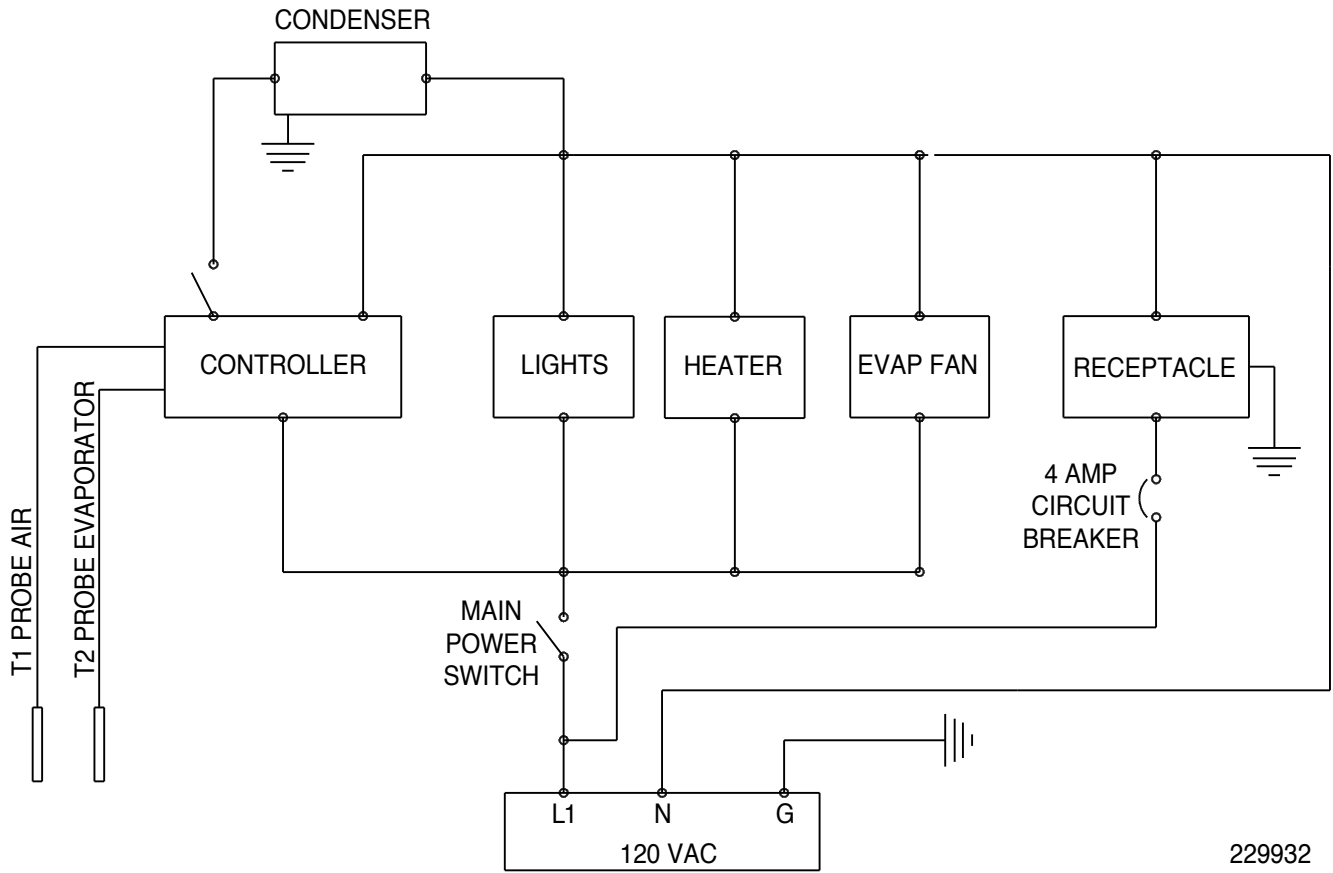


Figure: PL-5 Condenser Assembly

### OHRM WIRING DIAGRAM



Notes:



*Your Solutions Partner*

## **Duke Manufacturing Company**

**2305 N. Broadway  
St. Louis, MO 63102  
Phone: 314-231-1130  
Toll Free: 1-800-735-3853  
Fax: 314-231-5074  
[www.dukemfg.com](http://www.dukemfg.com)**